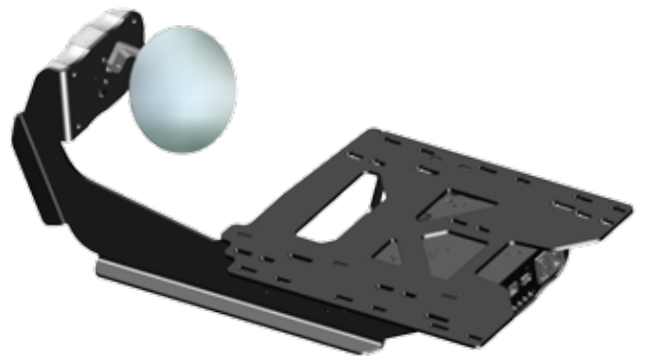


Mirror Head

Christie GS Series / 555-GS / 599-GS / 630-GS / 635-GS

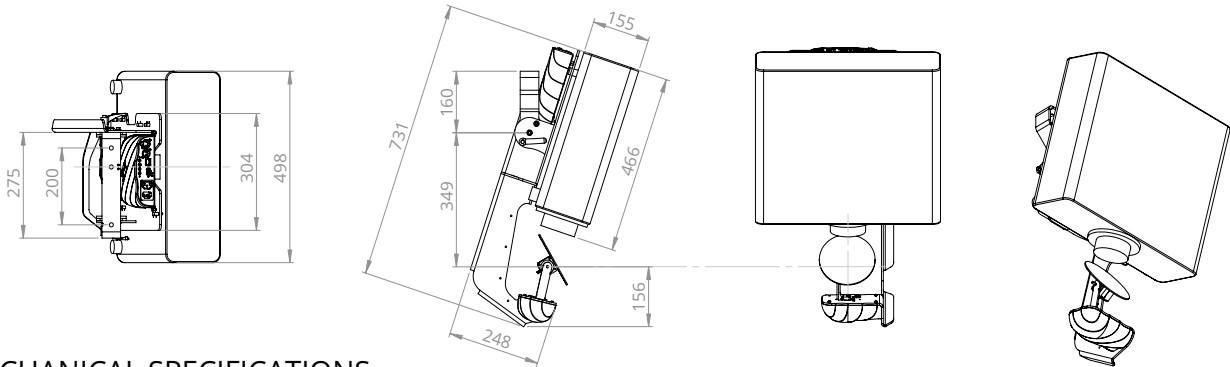
Item Number: MH11-L

The Mirror Head is a high-tech mirror that is digitally operated and can move either rapidly or slowly to project pictures, videos and texts on any surface - whether it's moving or static. Through its high-level of performance, the entire system guarantees accuracy. It is important to note that the Mirror Head is also extendable to almost every projector and a quality product made in Austria. The outcome is a remarkable realization of the intended message. This application paves the way to unprecedented possibilities in lighting, projection and interior design.





Specifications Mirror Head 11 with Christie DWU630-GS



MECHANICAL SPECIFICATIONS

Fixture dimensions (L/W/D):	731mm x 498mm x 312mm
Fixture total weight:	27,4kg
Projector weight:	16,5kg
Mirror Head 11 unit only:	10,5kg
Truss mount clamp - MHZ-BT:	2,2kg
Wall mount clamp - MHZ-BW:	2,8kg
Extended mount clamp - MHZ-BE:	3,3kg
Floorstand Heavy - MHZ-BSH:	12,5kg

ELECTRICAL SPECIFICATIONS

Input Power:	100-240V / 2-1A / 50-60Hz, Max. 10A (3-prong C14 male socket)
Output Power:	AC loop trough for projector (3-prong C13 female socket) Max. 8A - cable included

Caution! There are no user serviceable parts (fuse) inside this unit.

PROJECTOR COMPATIBILITY

DWU599-GS WUXGA (1920 x 1200) 5400 ANSI Lumens T.R. range: 1.52 - 5.50:1	DHD599-GS 1080p (1920 x 1080) 5400 ANSI Lumens T.R. range: 1.52 - 5.50:1
DWU630-GS WUXGA (1920 x 1200) 6000 ANSI Lumens T.R. range: 1.52 - 5.50:1	DHD630-GS 1080p (1920 x 1080) 6000 ANSI Lumens T.R. range: 1.52 - 5.50:1
DWU635-GS WUXGA (1920 x 1200) 6000 ANSI Lumens T.R. range: 1.52 - 5.50:1	DHD635-GS 1080p (1920 x 1080) 6000 ANSI Lumens T.R. range: 1.52 - 5.50:1

Discontinued: DWX555-GS / DWU555-GS / DHD555-GS

Two different lenses:
1.52-2.89: Lens 1.52-2.89 Zoom G (140-102104-XX)
2.90-5.50: Lens 2.9-5.50:1 Zoom G (140-107109-XX)

Due to optical reasons we recommend a throw ratio over 1.7:1.

OPERATION SPECIFICATIONS / FEATURES

- DMX-512 control over 14 DMX channels
- DMX IN / OUT port (5-pin male and female XLR connectors)
- Art-Net™ connection (RJ45) (Art-Net™ designed by and Copyright Artistic Licence Holdings Ltd.)
- Mirror Tilt modes: 90° & 162°
- Mirror Pan mode: 180°
- High resolution micro step motors with maintenance free direct drive
- Self calibrating mirror position for high accuracy
- Absolut reposition accuracy <0,03°
- Movement accuracy: Pan and Tilt from the same direction to the programmed point within approximately 0,01°
- RS232 remote control connection for projector
- (D-sub 9 male) - cable included
- Flashable firmware (Mini USB)
- High resolution LED-Display for easy configuration
- LED-Display backlight auto turn off for energy saving
- LED-Display Flip / Flop mode for easy reading in difficult positions
- Coated mirror for optimum reflection ~98% refraction factor
- Optimized mirror optics for the specific projector
- Ambient Light LED with high power 3 Colour LEDs (17,9 Watt total)
- High durability black powder-coating surface finishing
- Mounting plate optimized for specific projector mounting
- Easy to adjust mounting system
- Heavy-use truss or wall mounting supports
- Passive cooled system (excluding projector)
- Environmental tolerances: Ambient operating temperature range: 5°–35°C, Humidity: 20%–80% (non-condensing)
- Package includes: RS232 cable, AC-loop through cable, Quick installation guide



To protect the environment,
please try to recycle the packing
material as much as possible.



IMPORTANT NOTE: For information about the specifications, operations and use of the projector please read the instruction manual of the projector. <https://www.christiedigital.com/en-us/business/products/projectors/1-chip-dlp/gs-series>