

Dynamic Attraction
for your Business



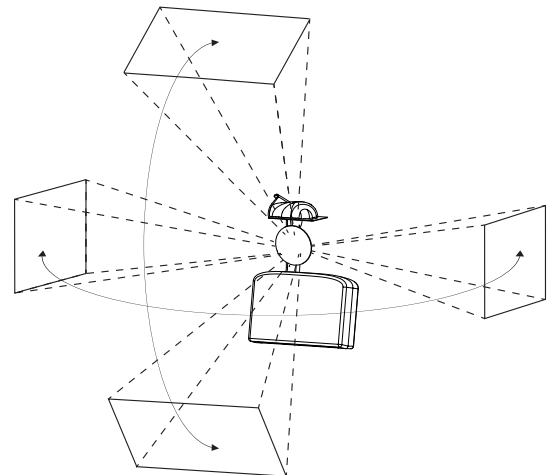
Mirror Head
Dynamic Projection Institute



Mirror Head Panasonic PT-RZ670 & PT-DZ870 Series

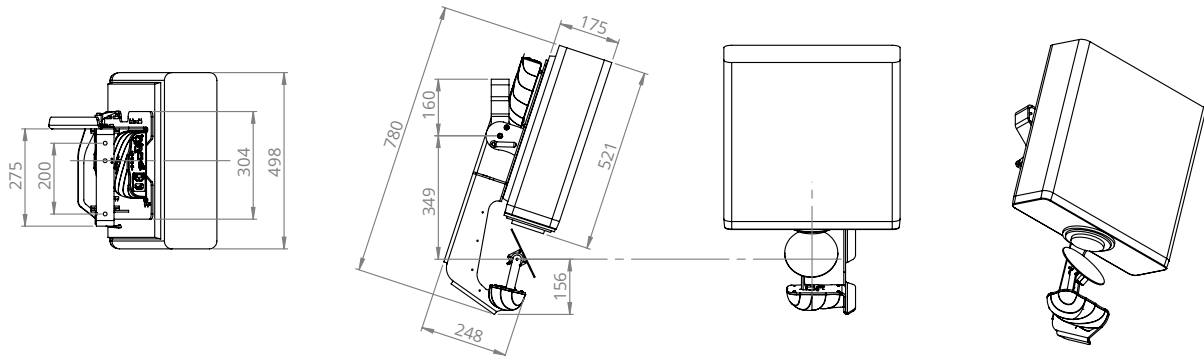
Item Number: MH11-L

The Mirror Head is a high-tech mirror that is digitally operated and can move either rapidly or slowly to project pictures, videos and texts on any surface - whether it's moving or static. Through its high-level of performance, the entire system guarantees accuracy. It is important to note that the Mirror Head is also extendable to almost every projector and a quality product made in Austria. The outcome is a remarkable realization of the intended message. This application paves the way for so far unprecedented possibilities in light-design, projection and interior design.





Mirror Head Panasonic PT-RZ670 & PT-DZ870 Series Specifications with PT-DZ870



MECHANICAL SPECIFICATIONS WITH PT-DZ870

Fixture dimensions (W/D/H):	780mm x 498mm x 248mm
Fixture total weight:	28,3kg
Projector weight:	18,3kg
Mirror Head unit only:	10,0kg
Truss mount clamp - MHZ-BT:	2,2Kg
Wall mount clamp - MHZ-BW:	2,8Kg
Extended mount clamp - MHZ-BE:	2,7Kg
Floorstand Heavy - MHZ-BSH:	13,2Kg

ELECTRICAL SPECIFICATIONS

Input Power:	100-240V / 2-1A / 50-60Hz, Max. 10A (3-prong C14 male socket)
Output Power:	AC loop trough for projector (3-prong C13 female socket)



Caution! There are no user serviceable parts (fuse) inside this unit.

PROJECTOR COMPATIBILITY

PT-DX100 XGA(1024x768) 10000 ANSI Lumens C.R.: 10000:1 Four different lenses T.R. range: 1.8 - 8.4:1	PT-RW630 / PT-DW830 WXGA (1280 x 800) 6500 / 8500 ANSI Lumens C.R.: 10000:1 Four different lenses T.R. range: 1.8 - 8.4:1
---	--

PT-RZ670 / PT-DZ870
WUXGA (1920 x 1200)
6500 / 8500 ANSI Lumens
C.R.: 10000:1
Four different lenses
T.R. range: 1.7 - 8.4:1

Due to optical reasons we do not recommend the use of the Short Throw Lens ET-DLE055, ET-DLE080 and ET-DLE150.

IMPORTANT NOTE: For information about the specifications, operations and use of the projector please read the instruction manual of the projector.
<https://www.pavc.panasonic.co.jp/projector/extranet/main/products/dz870/dz870manual.html>

OPERATION SPECIFICATIONS / FEATURES

- DMX-512 control over 14 DMX channels
- DMX IN / OUT port (5-pin male and female XLR connectors)
- Art-Net™ connection (RJ45) (Art-Net™ designed by and Copyright Artistic Licence Holdings Ltd.)
- Mirror Tilt modes: 90° & 162°
- Mirror Pan mode: 180°
- High resolution micro step motors with maintenance free direct drive
- Self calibrating mirror position for high accuracy
- Absolut reposition accuracy <0,03°
- Movement accuracy: Pan and Tilt from the same direction to the programmed point within approximately 0,01°
- RS232 remote control connection for projector (D-sub 9 male) - cable included
- Flashable firmware (Mini USB)
- High resolution LED-Display for easy configuration
- LED-Display backlight auto turn off for energy saving
- LED-Display Flip / Flop mode for easy reading in difficult positions
- Coated mirror for optimum reflection ~98% refraction factor
- Optimized mirror optics for the specific projector
- Ambient Light LED with high power 3 Colour LEDs (18 Watt total)
- High durability black powder-coating surface finishing
- Mounting plate optimized for specific projector mounting
- Easy to adjust mounting system
- Heavy-use truss or wall mounting supports
- Passive cooled system (excluding projector)
- Environmental tolerances: Ambient operating temperature range: 5°-35°C, Humidity: 20%-80% (non-condensing)
- Package includes: RS232 cable, AC-loop through cable, Quick installation guide



To protect the environment,
please try to recycle the packing
material as much as possible.

