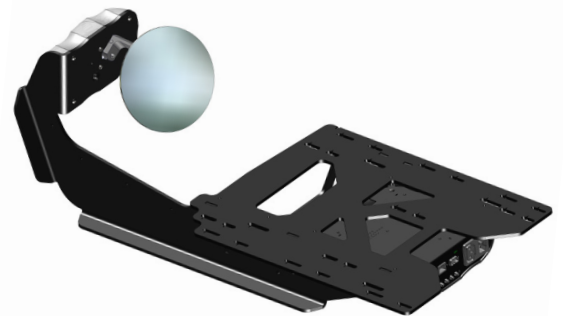


Dynamic Attraction
for your Business



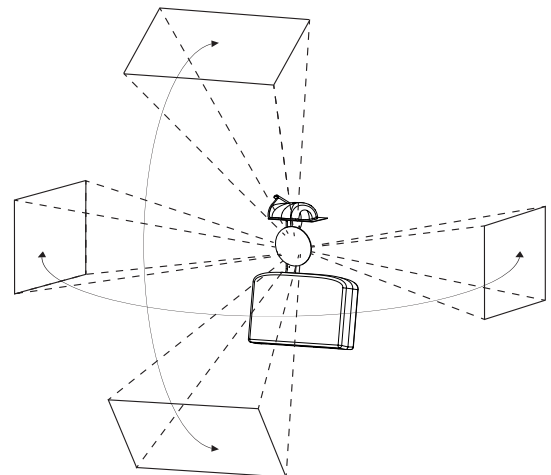
Mirror Head
Dynamic Projection Institute



Mirror Head Vivitek D6800 Series

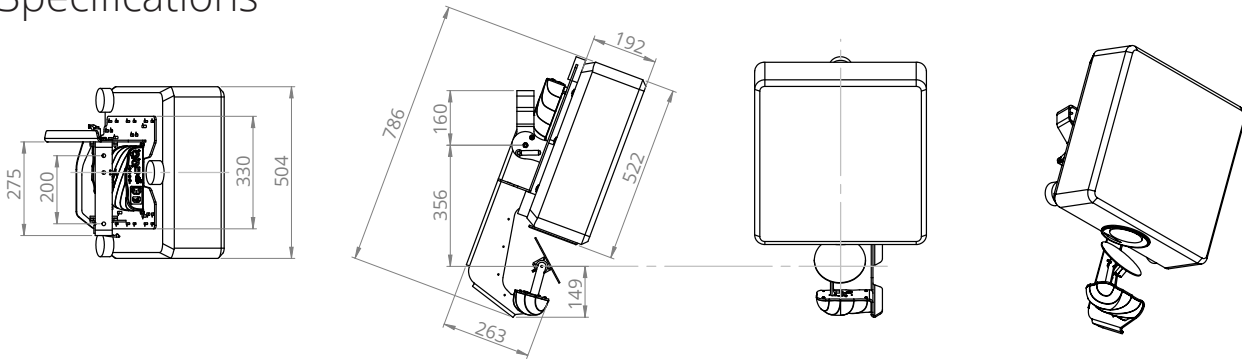
Item Number: MH11-L

The Mirror Head is a high-tech mirror that is digitally operated and can move either rapidly or slowly to project pictures, videos and texts on any surface - whether it's moving or static. Through its high-level of performance, the entire system guarantees accuracy. It is important to note that the Mirror Head is also extendable to almost every projector and a quality product made in Austria. The outcome is a remarkable realization of the intended message. This application paves the way for so far unprecedented possibilities in light-design, projection and interior design.





Mirror Head Vivitek D6800 Series Specifications



MECHANICAL SPECIFICATIONS

Fixture dimensions (W/D/H):	504mm x 786mm x 192mm
Fixture total weight:	30,0kg
Projector weight:	20,0kg
Mirror Head unit only:	10,0kg
Truss mount clamp - MHZ-BT:	2,2Kg
Wall mount clamp - MHZ-BW:	2,8Kg
Extended mount clamp - MHZ-BE:	2,7Kg

ELECTRICAL SPECIFICATIONS

Input Power:	100-240V / 2-1A / 50-60Hz, Max. 10A (3-prong C14 male socket)
Output Power:	AC loop trough for projector (3-prong C13 female socket)



Caution! There are no user serviceable parts (fuse) inside this unit.

PROJECTOR COMPATIBILITY

DX6831 XGA(1024x768) 8000 ANSI Lumens C.R.: 3000:1 Three different lenses T.R. range: 2.3 - 8.56:1	DW6851 WXGA (1280 x 800) 7000 ANSI Lumens C.R.: 3000:1 Three different lenses T.R. range: 2.33 - 8.67:1
--	---

DU6871
1080p (1920 x 1080)
7300 ANSI Lumens
C.R.: 3000:1
Three different lenses
T.R. range: 2.22 - 8.26:1

Due to optical reasons we do not recommend the use of the Wide Fix, Ultra Wide Zoom, Wide Zoom and only partly the Standard Lens.

IMPORTANT NOTE: For information about the specifications, operations and use of the projector please read the instruction manual of the projector.
<http://www.vivitek.eu/Category/Large-Venue-Projectors/119/DU6871->

OPERATION SPECIFICATIONS / FEATURES

- DMX-512 control over 14 DMX channels
- DMX IN / OUT port (5-pin male and female XLR connectors)
- Art-Net™ connection (RJ45) (Art-Net™ designed by and Copyright Artistic Licence Holdings Ltd.)
- Mirror Tilt modes: 90° & 162°
- Mirror Pan mode: 180°
- High resolution micro step motors with maintenance free direct drive
- Self calibrating mirror position for high accuracy
- Absolut reposition accuracy <0,03°
- Movement accuracy: Pan and Tilt from the same direction to the programmed point within approximately 0,01°
- RS232 remote control connection for projector (D-sub 9 male) - cable included
- Flashable firmware (Mini USB)
- High resolution LED-Display for easy configuration
- LED-Display backlight auto turn off for energy saving
- LED-Display Flip / Flop mode for easy reading in difficult positions
- Coated mirror for optimum reflection ~98% refraction factor
- Optimized mirror optics for the specific projector
- Ambient Light LED with high power 3 Colour LEDs (18 Watt total)
- High durability black powder-coating surface finishing
- Mounting plate optimized for specific projector mounting
- Easy to adjust mounting system
- Heavy-use truss or wall mounting supports
- Passive cooled system (excluding projector)
- Environmental tolerances: Ambient operating temperature range: 5°-35°C, Humidity: 20%-80% (non-condensing)
- Package includes: RS232 cable, AC-loop through cable, Quick installation guide



To protect the environment,
please try to recycle the packing
material as much as possible.

