

Going beyond  
screens & monitors.



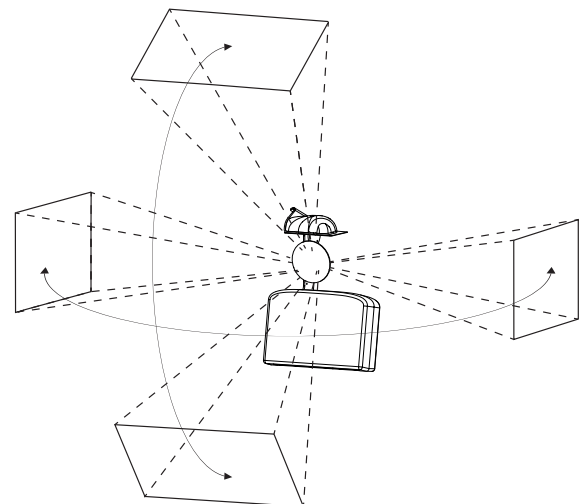
*Mirror Head*  
Dynamic Projection Institute



# Mirror Head Panasonic PT-DZ680 & PT-DZ780 Series

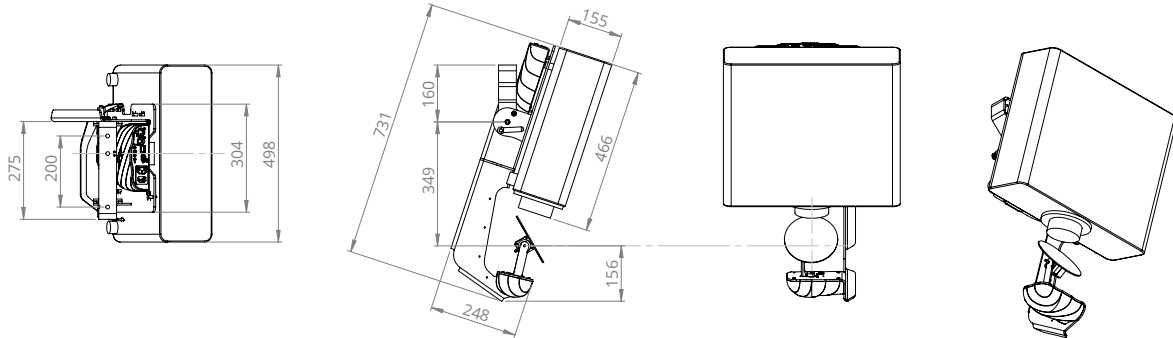
Item Number: MH13-L

The Mirror Head is a high-tech mirror that is digitally operated and can move either rapidly or slowly to project pictures, videos and texts on any surface - whether it's moving or static. Through its high-level of performance, the entire system guarantees accuracy. It is important to note that the Mirror Head is also extendable to almost every projector and a quality product made in Austria. The outcome is a remarkable realization of the intended message. This application paves the way for so far unprecedented possibilities in light-design, projection and interior design.





## Mirror Head Panasonic PT-DZ680 & PT-DZ780 Series Specifications with PT-DZ680



### MECHANICAL SPECIFICATIONS WITH PT-DZ680

Fixture dimensions (W/D/H):	498mm x 731mm x 248mm
Fixture total weight:	25,5kg
Projector weight:	16,0kg
Mirror Head unit only:	9,5kg
Truss mount clamp - MHZ-BT:	2,2Kg
Wall mount clamp - MHZ-BW:	2,8Kg
Extended mount clamp - MHZ-BE:	2,7Kg
Floorstand Heavy - MHZ-BSH:	13,2Kg

### ELECTRICAL SPECIFICATIONS

Input Power:	100-240V / 2-1A / 50-60Hz, Max. 10A (3-prong C14 male socket)
Output Power:	AC loop trough for projector (3-prong C13 female socket ) Max. 8A - cable included

**⚠ Caution!** There are no user serviceable parts (fuse) inside this unit.

### PROJECTOR COMPATIBILITY

PT-DX610 / 820 XGA(1024x768) 6500 / 8200 ANSI Lumens C.R.: 2000 / 2400:1 Four different lenses T.R. range: 1.8 - 8.4:1	PT-DW640 / 750 WXGA (1280 x 800) 6000 / 7000 ANSI Lumens C.R.: 2000 / 3000:1 Four different lenses T.R. range: 1.8 - 8.4:1
PT-DZ680 / 780 WUXGA (1920 x 1200) 6000 / 7000 ANSI Lumens C.R.: 2000 / 3000:1 Four different lenses T.R. range: 1.8 - 8.4:1	PT-DZ770 Series PT-DZ6700 Series PT-DW730 Series And many more

Due to optical reasons we do not recommend the use of the Short Throw Lens ET-DLE055, ET-DLE080 and ET-DLE150.

**IMPORTANT NOTE:** For information about the specifications, operations and use of the projector please read the instruction manual of the projector.  
<https://www.pavc.panasonic.co.jp/projector/extranet/main/products/dz680/dz680manual.html>

### OPERATION SPECIFICATIONS / FEATURES

- DMX-512 control over 14 DMX channels
- DMX IN / OUT port (5-pin male and female XLR connectors)
- Art-Net™ connection (RJ45) (Art-Net™ designed by and Copyright Artistic Licence Holdings Ltd.)
- Mirror Tilt modes: 90° & 162°
- Mirror Pan mode: 180°
- High resolution micro step motors with maintenance free direct drive
- Self calibrating mirror position for high accuracy
- Absolut reposition accuracy <0,03°
- Movement accuracy: Pan and Tilt from the same direction to the programmed point within approximately 0,01°
- RS232 remote control connection for projector (D-sub 9 male) - cable included
- Flashable firmware (Mini USB)
- High resolution LED-Display for easy configuration
- LED-Display backlight auto turn off for energy saving
- LED-Display Flip / Flop mode for easy reading in difficult positions
- Coated mirror for optimum reflection ~98% refraction factor
- Optimized mirror optics for the specific projector
- Ambient Light LED with high power 3 Colour LEDs (17,9 Watt total)
- High durability black powder-coating surface finishing
- Mounting plate optimized for specific projector mounting
- Easy to adjust mounting system
- Heavy-use truss or wall mounting supports
- Passive cooled system (excluding projector)
- Environmental tolerances: Ambient operating temperature range: 5°-35°C, Humidity: 20%-80% (non-condensing)
- Package includes: RS232 cable, AC-loop through cable, Quick installation guide



To protect the environment,  
please try to recycle the packing  
material as much as possible.

