

Dynamic Attraction  
for your Business



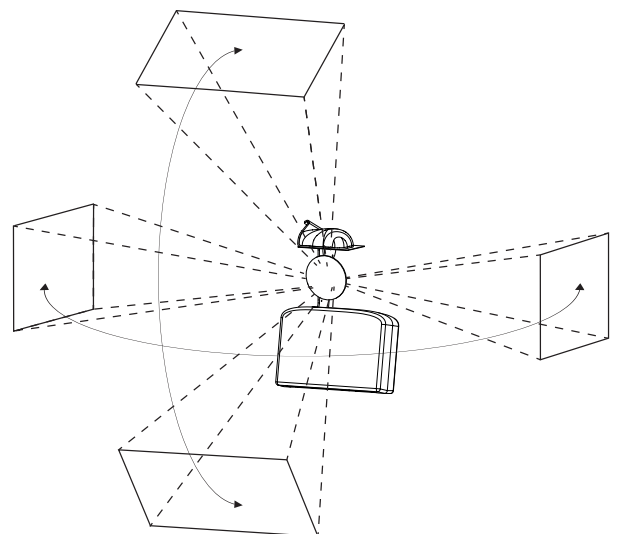
*Mirror Head*  
Dynamic Projection Institute



## Mirror Head NEC-P Series

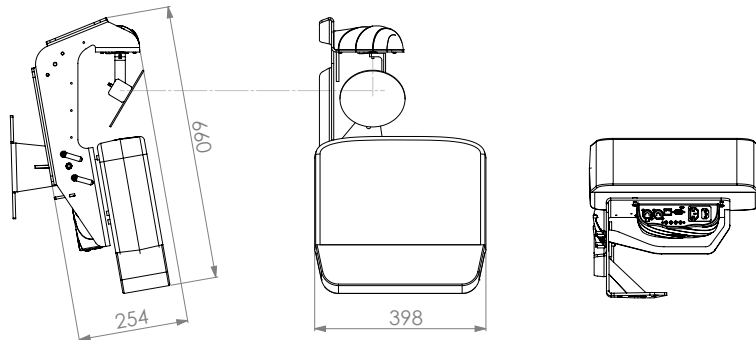
Item Number : MHNECPLW / MHNECPLT

The Mirror Head allows projecting on different surfaces in space, moving or static. The Mirror Head is optional extendable to video projectors. The concept concerns a computer operated, high-tech mirror that allows to focus pictures, videos and texts all over space. The outcome is a remarkable realization of the intended message. This application paves the way for so far unprecedented possibilities in light-design, projection and interior design.





## Mirror Head NEC-P Series Specifications



### MECHANICAL SPECIFICATIONS NEC-P Series

Fixture dimensions (W/D/H):	398mm x 660mm x 254mm
Fixture total weight:	11,6kg
Projector weight:	4,5kg
Mirror Head unit only:	7,1Kg
The fixture can be mounted:	On a truss - truss bracket On a wall / ceiling - wall bracket Onto the floor / presentation stand

### ELECTRICAL SPECIFICATIONS

Input Power:	100-240V / 2-1A / 50-60Hz, Max. 10A (3-prong C14 male socket)
Output Power:	AC loop trough for projector (3-prong C13 female socket ) Max. 8A - cable included

 Caution! There are no user serviceable parts (fuse) inside this unit.

### PROJECTOR SPECIFICATIONS

<b>P451X / P501X</b>	<b>P401W / P451W</b>
XGA (1024x768)	WXGA (1280 x 800)
4500 / 5000 ANSI Lumens	4000 / 4500 ANSI Lumens
C.R.: 4000:1	C.R.: 4000:1
T.R.: 1.3 - 2.2:1	T.R.: 1.3 - 2.2:1

### PE401H

1080p (1920 x 1080)  
4000 ANSI Lumens  
C.R.: 2000:1  
T.R.: 1.6 - 2.72:1

IMPORTANT NOTE: For information about the specifications, operations and use of the projector please read the instruction manual of the projector.  
<http://www.nec-display-solutions.com/p/uk/de/support.xhtml>

### OPERATION SPECIFICATIONS / FEATURES

- DMX-512 control over 14 DMX channels
- DMX IN / OUT port (5-pin male and female XLR connectors)
- Art-Net™ connection (RJ45) (Art-Net™ Designed by and Copyright Artistic Licence Holdings Ltd.)
- Mirror Tilt modes: 90° & 162°
- Mirror Pan mode: 180°
- High resolution micro step motors with maintenance free direct drive
- Self calibrating mirror position for high accuracy
- Absolut reposition accuracy <0,03°
- Movement accuracy: Pan and Tilt from the same direction to the programmed point within approximately 0,01°
- RS232 remote control connection for projector (D-sub 9 male) - cable included
- Flashable firmware (Mini USB)
- High resolution LED-Display for easy configuration
- LED-Display backlight auto turn off for energy saving
- LED-Display Flip / Flop mode for easy reading in difficult positions
- Coated mirror for optimum reflection ~98% refraction factor
- Optimized mirror optics for the specific projector
- Ambient Light LED with high power 3 Colour LEDs (17,9 Watt total)
- High durability black powder-coating surface finishing
- Mounting plate optimized for specific projector mounting
- Easy to adjust mounting system
- Heavy-use truss or wall mounting supports
- Passive cooled system (excluding projector)
- Environmental tolerances: Ambient operating temperature range: 5°-35°C, Humidity: 20%-80% (non-condensing)
- Package includes: RS232 cable, AC-loop through cable, Quick installation guide



To protect the environment, please try to recycle the packing material as much as possible.

