

Promote  
yourself



DYNAMIC PROJECTION  
INSTITUTE



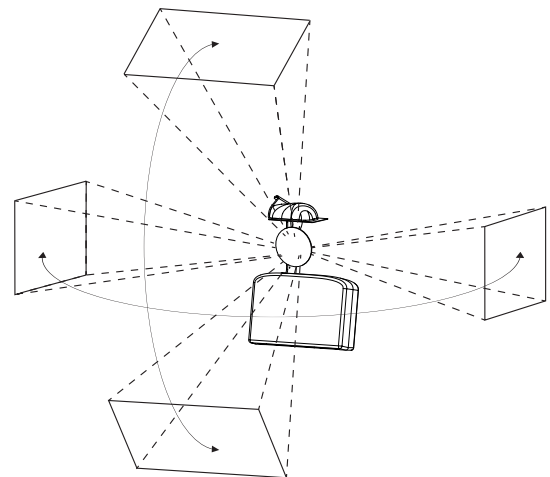
# Mirror Head Canon XEED WUX7000Z Series

Item Number: MH11-C70L

The Mirror Head is an add-on for your projector. It is a high-tech digitally operated mirror that you mount to your projector to project content onto any surfaces (e.g. objects, walls, floors, ceilings).

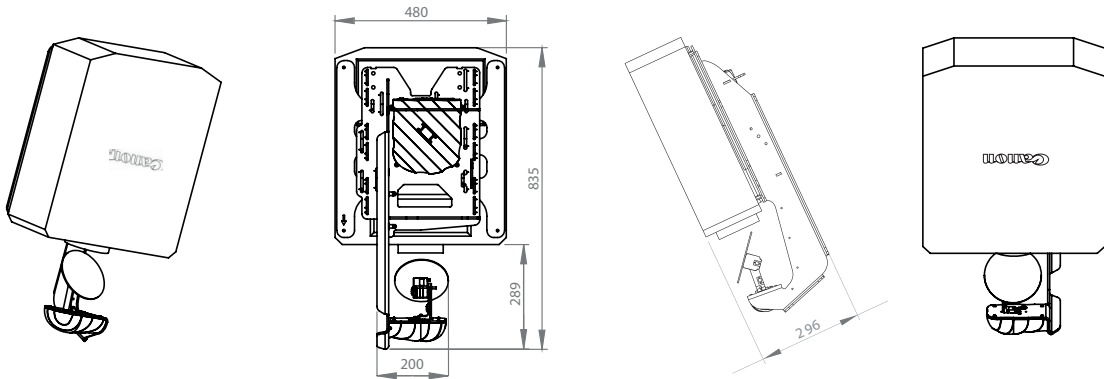
Whether you use projections for retail, exhibitions, presentations, big scale building projections, art or other applications, the projections can be moved up, down, left and right to reach certain angles that are not in the projection range for statically positioned projectors.

With the possibility to move projections from one position to another, Dynamic Projection Institute guarantees highly accurate positioning to achieve state-of-the-art projection installations.





## Technical Specifications MH11-C70L



### MECHANICAL SPECIFICATIONS

Fixture dimensions (L/W/H):	835 mm x 480 mm x 296 mm
Fixture total weight:	29 kg
Projector weight:	17 kg
Mirror Head unit only:	12 kg
Truss mount clamp - MHZ-BT:	2 kg
Wall mount clamp - MHZ-BW:	3 kg
Extended mount clamp - MHZ-BE:	3 kg
Floorstand Heavy - MHZ-BSH:	13 kg

### ELECTRICAL SPECIFICATIONS

Input Power:	100-240V / 2-1A / 50-60Hz, Max. 10A (3-pol C14 male socket)
Output Power:	AC loop trough for projector (3-pol C13 female socket) Max. 8A - cable included



Caution! There are no user serviceable parts (fuse) inside this unit.

### PROJECTOR COMPATIBILITY

XEED WUX5800Z:	5,800 ANSI / 1.920 x 1.200 (WUXGA)
XEED WUX6600Z:	6,600 ANSI / 1.920 x 1.200 (WUXGA)
XEED WUX7000Z:	7,000 ANSI / 1.920 x 1.200 (WUXGA)

LENS COMPATIBILITY: SL01ST TR: 1.49–2.21:1, SL02LZ TR: 2.19–3.74:1, SL04UL TR: 3.55–6.94:1

Due to optical reasons we recommend a throw ratio over 1.6:1.

IMPORTANT NOTE: For information about the specifications, operations and use of the projector please read the instruction manual of the projector.  
<https://www.canon.at/projectors/xeed-wux7000z-wux6600z-wux5800z/>



To protect the environment,  
please try to recycle the packing  
material as much as possible.



### OPERATION SPECIFICATIONS / FEATURES

- DMX-512 control over 14 DMX channels.
- DMX IN / OUT port (5-pin male and female XLR connectors).
- Art-Net™ connection (RJ45) (Art-Net™ Designed by and Copyright Artistic Licence Holdings Ltd.).
- Mirror Tilt modes: 90° & 162°
- Mirror Panmode: 180°
- High resolution micro step motors with maintenance free direct drive.
- Self calibrating mirror position for high accuracy.
- Absolut reposition accuracy <0,03°.
- Movement accuracy: Pan and Tilt from the same direction to the programmed point within approximately 0,01°.
- RS232 remote control connection for projector (D-sub 9 male).
- Flashable firmware (Mini USB).
- High resolution LED-Display for easy configuration.
- LED-Display backlight auto turn off for energy saving.
- LED-Display Flip / Flop mode for easy reading in difficult positions.
- Coated mirror for optimum reflection ~98% refraction factor.
- Optimized mirror geometry for the specific projector.
- Ambient Light LED with high power 3 Colour LEDs (18Watt total).
- High durability black powder-coating surface finishing.
- Mounting plate optimized for specific projector mounting.
- Easy to adjust mounting system.
- Heavy-use truss or wall mounting supports.
- Passive cooled system (excluding projector).
- Environmental tolerances: Ambient operating temperature range: 5°–35°C, Humidity: 20%-80% (non-condensing).
- Package includes: RS232 cable, AC-loop through cable, Quick installation guide.