

A logical upgrade
for projectors.



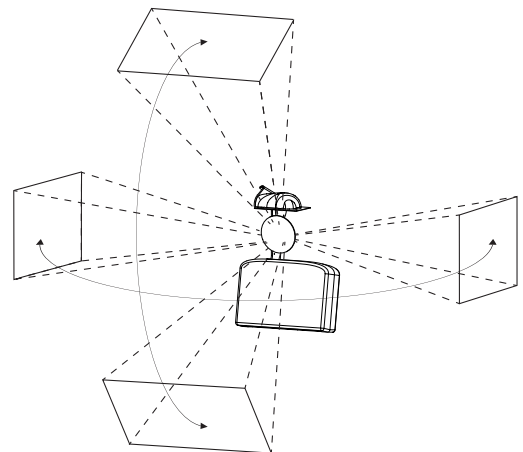
Mirror Head Panasonic PT-RZ990 Series

Item Number: MH11-L

The Mirror Head is a modern high-tech mirror that is digitally operated and is used as an add-on for projectors. Through its high level of performance, the entire system guarantees highly accurate projection positioning and is a quality product "Made in Austria."

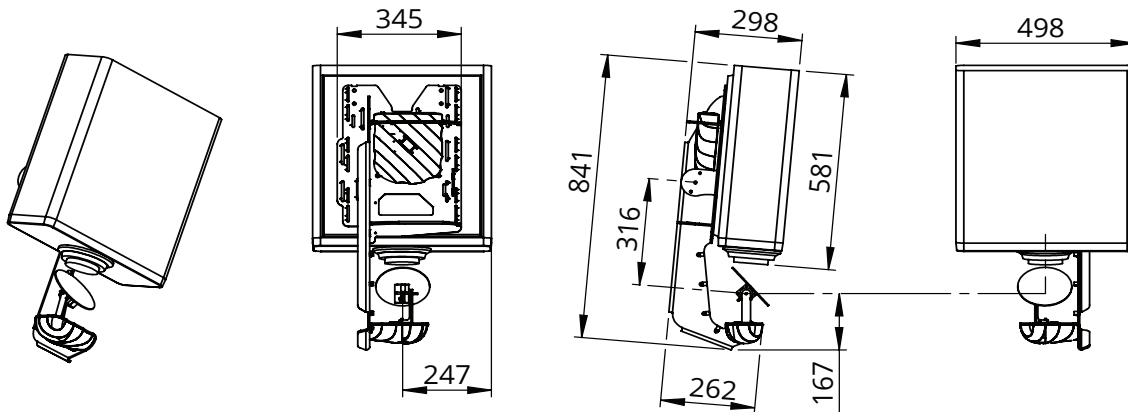
The Dynamic Projection Control Center - DPCC is pre-installed and delivered with each Mirror Head to offer a complete plug-n-play solution to easily start creating dynamic projection shows directly from a web browser and any operating system.

You can use the Mirror Head for a main screen position and in between moments, move the projections around or use other positions. Deflect projections digitally into multiple directions with a single projector. Reach more surfaces and project content across an entire room or any environment. Extend the functionality of



A logical upgrade
for projectors.

Mirror Head MH11 with Panasonic PT-RZ990



MECHANICAL SPECIFICATIONS WITH PT-RZ990

Fixture dimensions (W/D/H):	498mm x 298mm x 841mm
Fixture total weight:	34,0kg
Projector weight:	23,2kg
Mirror Head unit only:	10,8kg
Truss mount clamp - MHZ-BT:	2,2Kg
Wall mount clamp - MHZ-BW:	2,8Kg
Extended mount clamp - MHZ-BE:	2,7Kg
Floorstand Heavy - MHZ-BSH:	13,2Kg

ELECTRICAL SPECIFICATIONS

Input Power:	100-240V / 2-1A / 50-60Hz, Max. 10A (3-prong C14 male socket)
Output Power:	AC loop trough for projector (3-prong C13 female socket)

 Caution! There are no user serviceable parts (fuse) inside this unit.

PROJECTOR COMPATIBILITY

PT-RZ690	6,200 Lumen	WUXGA
PT-RZ790	7,200 Lumen	WUXGA
PT-RZ890	8,800 Lumen	WUXGA
PT-RZ990	10,000 Lumen	WUXGA
PT-RZ120	12,600 Lumen	WUXGA

Discontinued models: PTRZ670 and PTRZ970 Series, anm.

Due to optical reasons, we recommend a throw ratio over 1.5:1 to use the maximum movement spectrum of the beam deflection. It is also possible to use a lower throw ratio with certain limitations, such as: Limited mirror movement range, partial image use, spill of image edges, digitally resizing and cropping image.

IMPORTANT NOTE: For information about the specifications, operations and use of the projector please read the instruction manual of the projector.
<https://panasonic.net/cns/projector/products/rz990/>

OPERATION SPECIFICATIONS / FEATURES

- DMX-512 control over 14 DMX channels.
- DMX IN / OUT port (5-pin male and female XLR connectors).
- Art-Net™ connection (RJ45) (Art-Net™ Designed by and Copyright Artistic Licence Holdings Ltd.).
- Mirror TILT modes: 90° & 162°
- Mirror PAN mode: 180°
- High resolution micro step motors with maintenance free direct drive.
- Self calibrating mirror position for high accuracy.
- Absolut reposition accuracy <0,03°.
- Movement accuracy: Pan and Tilt from the same direction to the programmed point within approximately 0,01°.
- RS232 remote control connection for projector (D-sub 9 male).
- Flashable firmware (Mini USB).
- High resolution LED-Display for easy configuration.
- LED-Display backlight auto turn off for energy saving.
- LED-Display Flip / Flop mode for easy reading in difficult positions.
- Coated mirror for optimum reflection ~98% refraction factor.
- Optimized mirror geometry for the specific projector.
- Ambient Light LED with high power 3 Colour LEDs (18Watt total).
- High durability black powder-coating surface finishing.
- Mounting plate optimized for specific projector mounting.
- Easy to adjust mounting system.
- Heavy-use truss or wall mounting supports.
- Passive cooled system (excluding projector).
- Environmental tolerances: Ambient operating temperature range: 5°-35°C, Humidity: 20%-80% (non-condensing).
- Package includes: RS232 cable, AC-loop through cable, Quick installation guide.



To protect the environment,
please try to recycle the packing
material as much as possible.

