

Components:

- (1) 1 pcs. Truss bracket
- (2) 1 pcs. Clamping disc
- (3) 2 pcs. Adjustable handle 44mm / M 6 x 20
- (4) 2 pcs. Washer M6 Recla-Lock
- (5) 1 pcs. M8 x 25 cap screw with round head
- (6) 1 pcs. M8 lock nut

Dimensions: 255 x 116 x 172 mm (L/W/H)
Weight: 2,80 kg



DYNAMIC PROJECTION
 INSTITUTE

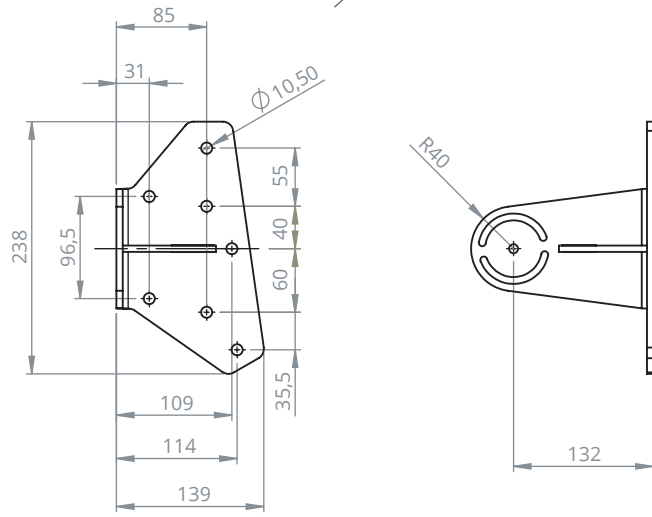
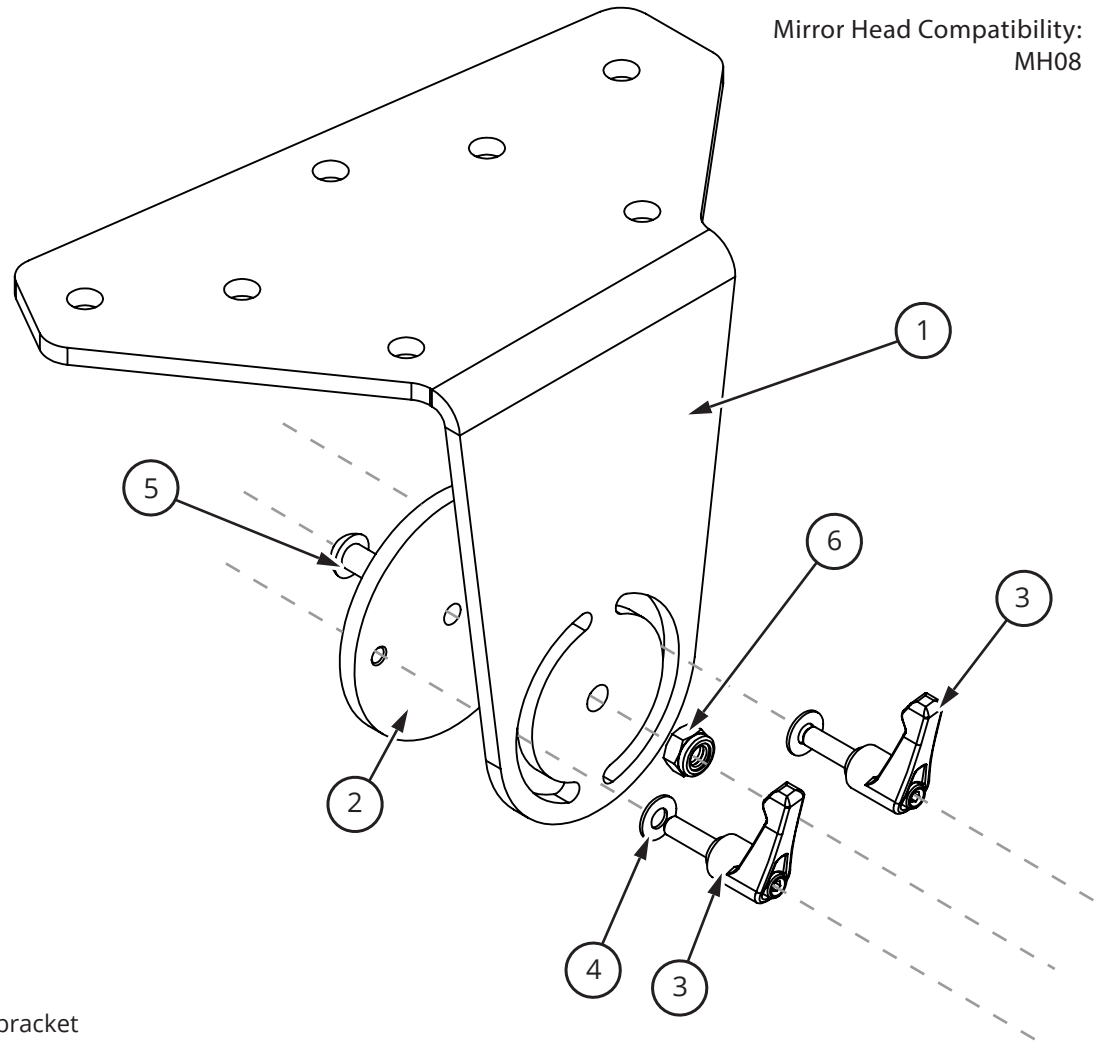
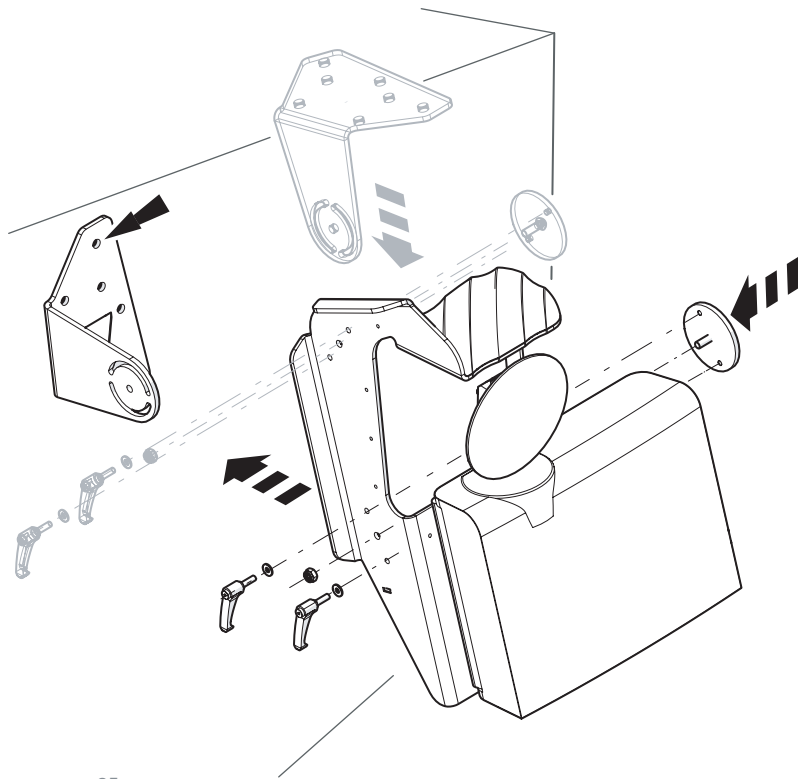
office@dynamicprojection.com - www.dynamicprojection.com

Truss Bracket / Trusskonsole

MHZ-TK

2017-11-10

Mirror Head Compatibility:
MH08



Components:

- (1) 1pcs. Wall bracket
- (2) 1pcs. Clamping disc
- (3) 1pcs. Adjustable handle 44mm / M 6 x 20
- (4) 2pcs. Washer M6 Recca-Lock
- (5) 1pcs. M8 x 25 cap screw with round head
- (6) 1pcs. M8 lock nut

Dimensions: 238 x 139 x 172 mm (L/W/H)
Weight: 2,10 kg



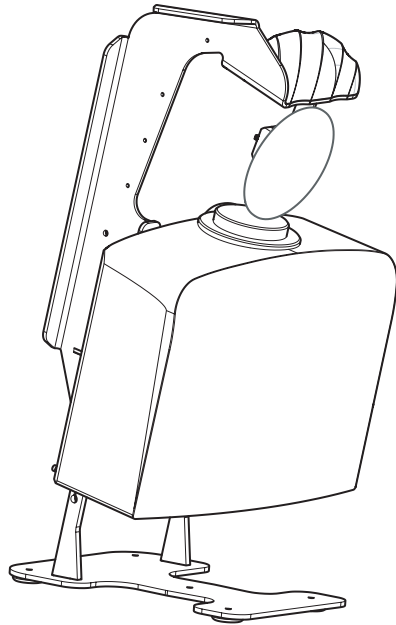
DYNAMIC PROJECTION
INSTITUTE

office@dynamicprojection.com - www.dynamicprojection.com

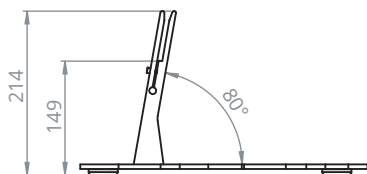
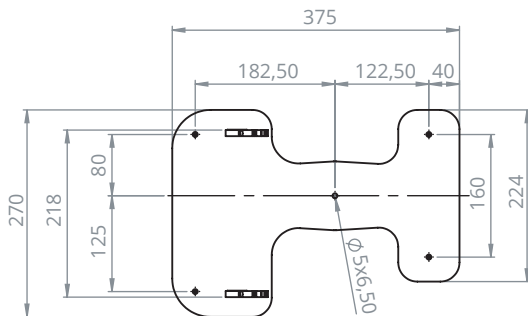
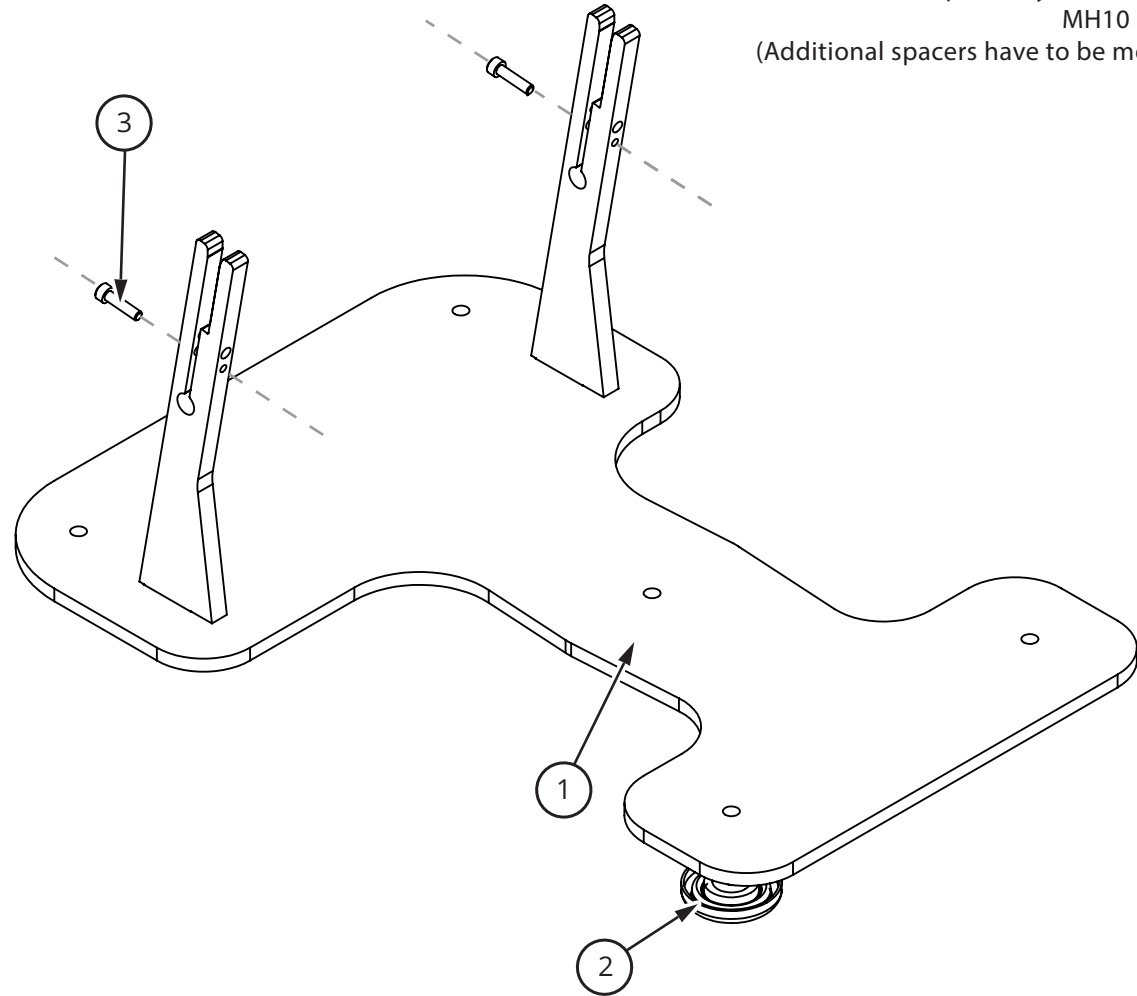
Wall Bracket / Wandkonsole

MHZ-WK

2017-11-13



Mirror Head Compatibility: MH08, MH09,
MH10 + MH12
(Additional spacers have to be mounted)



Dimensions: 375 x 270 x 214 mm (L/W/H)
Weight: 3,70 kg

Components:

- (1) 1pcs. Floor- / Presentation stand
- (2) 4pcs. Anti-vibration damper foot
- (3) 2pcs. M4 x 16 socket screw



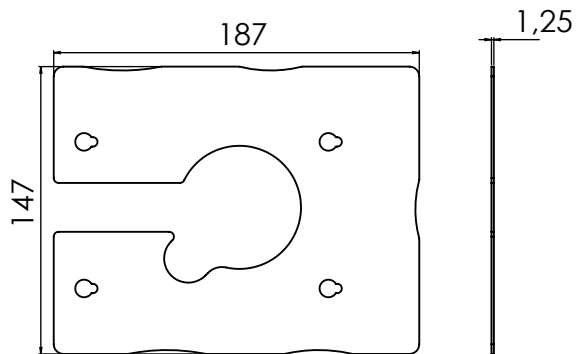
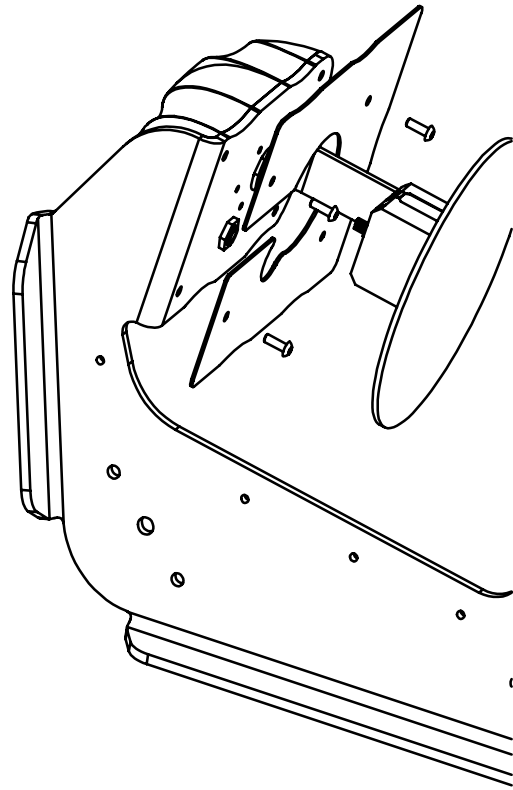
DYNAMIC PROJECTION
INSTITUTE

office@dynamicprojection.com - www.dynamicprojection.com

Floor- / Presentation Stand

MHZ-BS

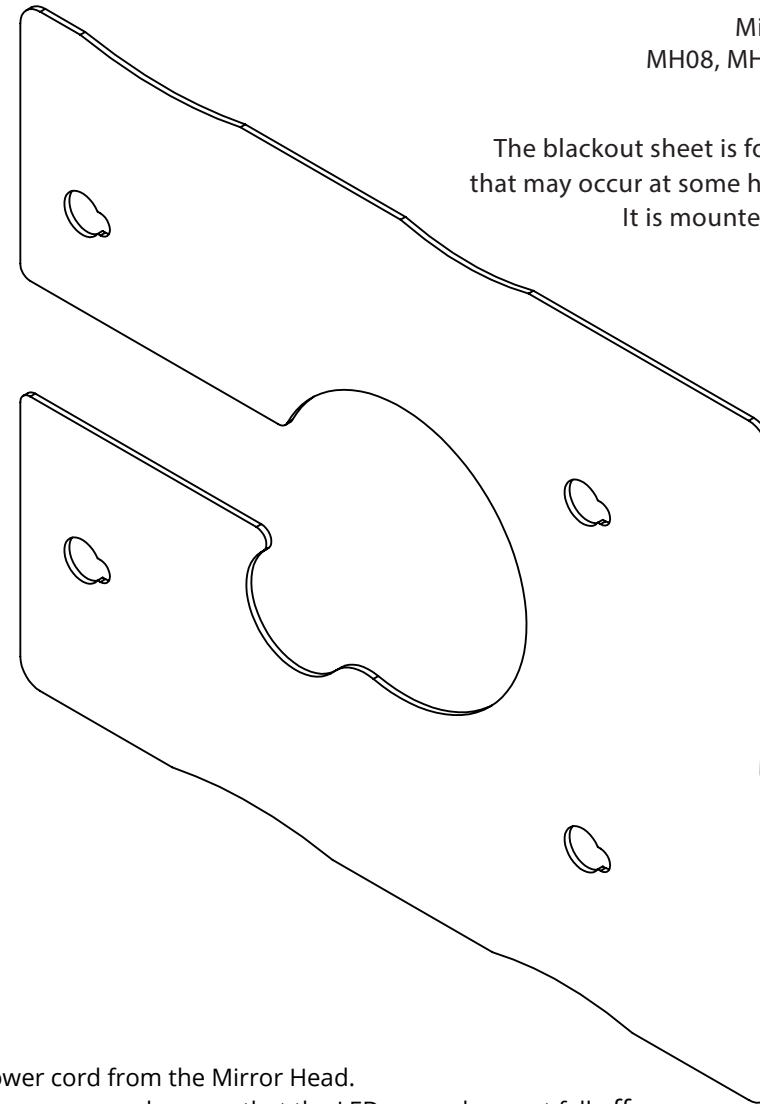
2017-11-13



Dimensions: 187 x 147 x 2 mm (L/W/H)
Weight: 0,2 kg

Mirror Head Compatibility:
 MH08, MH09, MH10, MH11, MH13

The blackout sheet is for avoiding the light-spill that may occur at some high angles of projection. It is mounted below the LED head of the Mirror Head.



- 1) Remove the power cord from the Mirror Head.
- 2) Remove the four screws and ensure that the LED cover does not fall off.
- 3) Place the Blackout Plate in the correct position.
- 4) Remount the four screws back in place and tighten them.



DYNAMIC PROJECTION
 INSTITUTE

office@dynamicprojection.com - www.dynamicprojection.com

Blackout Plate Assembly

MHZ-BB4

2017-12-18