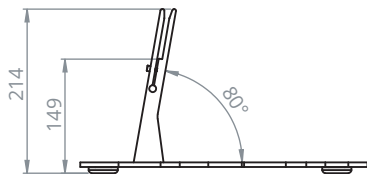
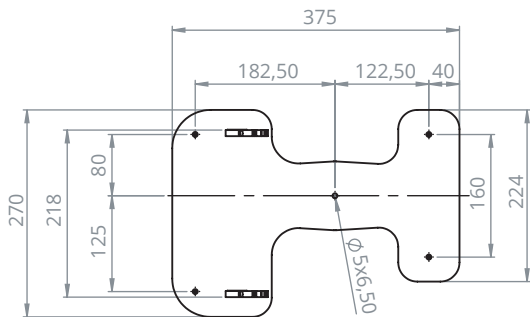
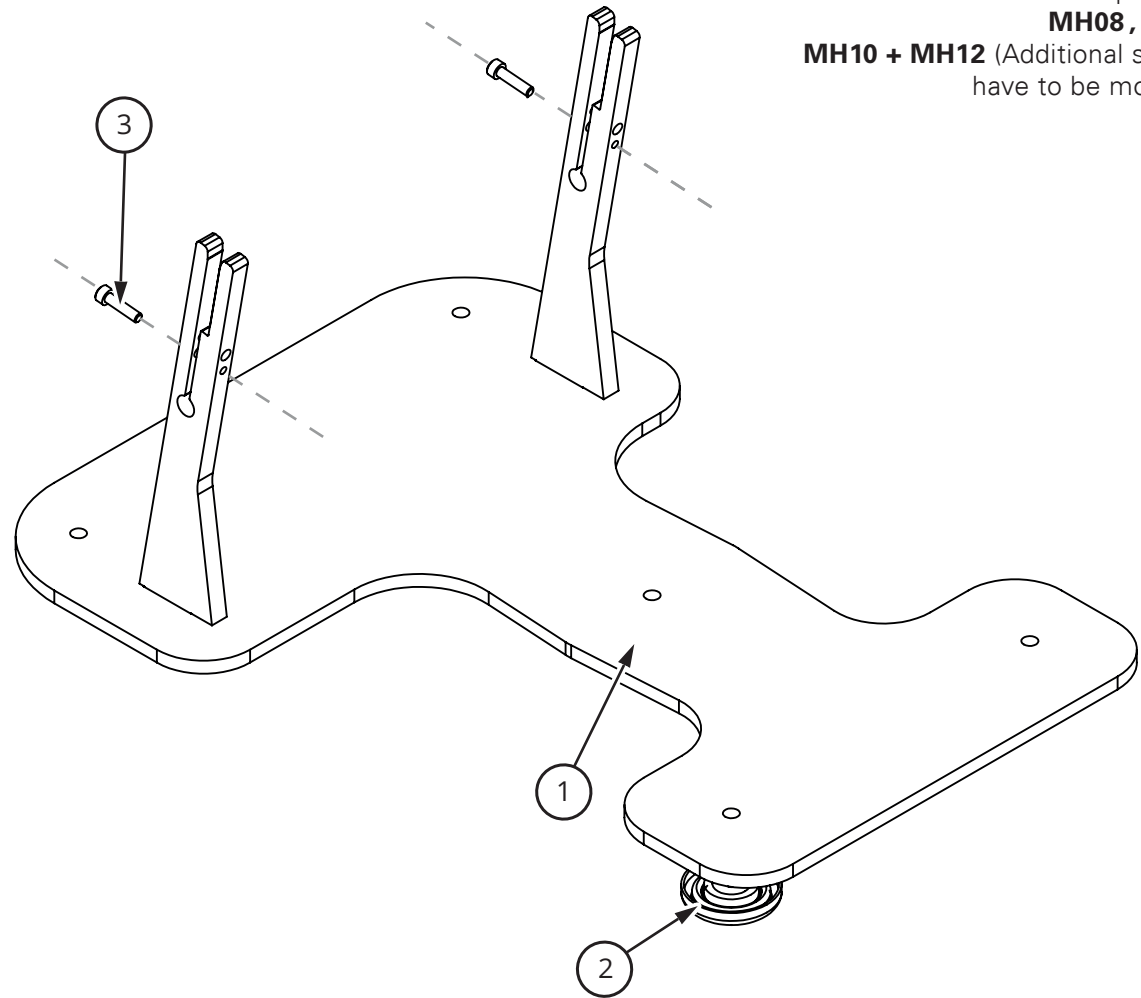


Mirror Head Compatibility:  
**MH08 , MH09 ,**  
**MH10 + MH12** (Additional spacers  
 have to be mounted)



**Dimensions:** 375 x 270 x 214 mm (L/W/H)  
**Weight:** 3,70 kg

**Components:**

- (1) 1pcs. Floor- / Presentation stand
- (2) 4pcs. Anti-vibration damper foot
- (3) 2pcs. M4 x 16 socket screw



DYNAMIC PROJECTION  
 INSTITUTE

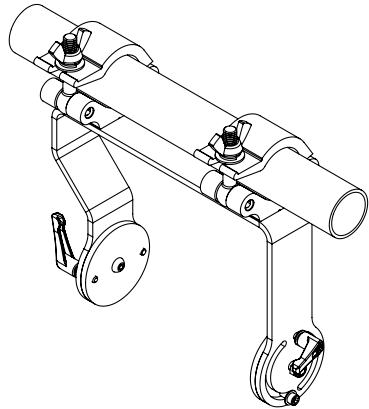
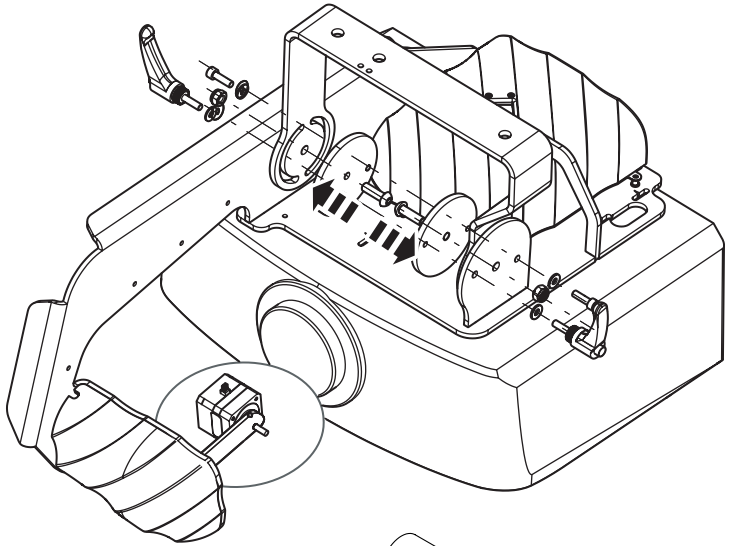
office@dynamicprojection.com - www.dynamicprojection.com

Floor- / Presentation Stand

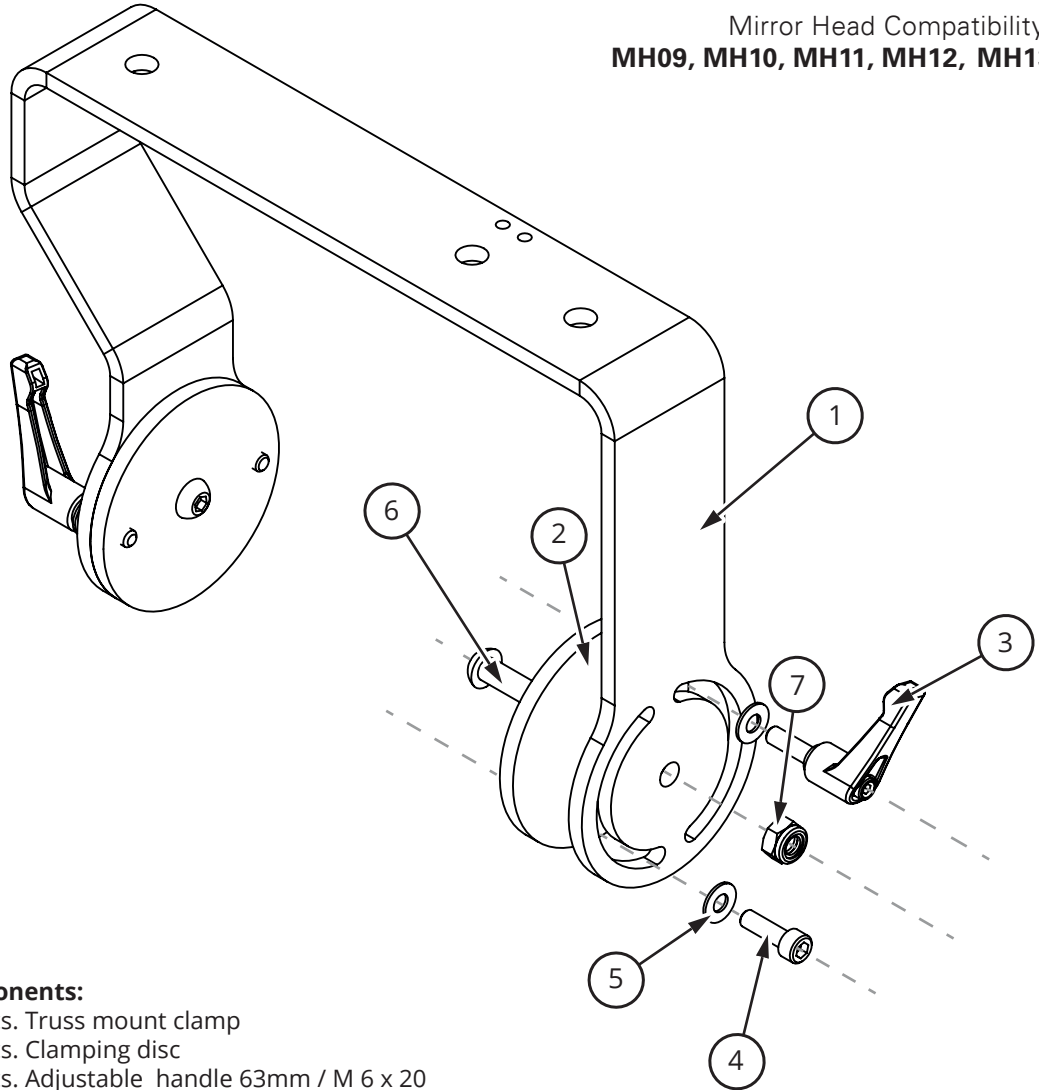
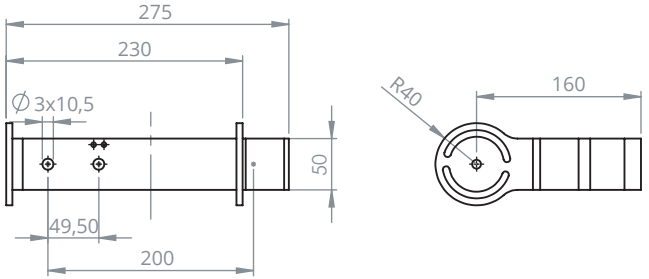
MHZ-BS

2017-11-13

Mirror Head Compatibility:  
**MH09, MH10, MH11, MH12, MH13**



Truss Mount  
 Clamp with  
 halfcoupler



- Components:**
- (1) 1pcs. Truss mount clamp
  - (2) 2pcs. Clamping disc
  - (3) 2pcs. Adjustable handle 63mm / M 6 x 20
  - (4) 2pcs. M6 x 20 socket screw
  - (5) 4pcs. Washer M6 Reca-Lock
  - (6) 2pcs. M8 x 25 cap screw with round head
  - (7) 2pcs. M8 lock nut

**Dimensions:** 275 x 80 x 200 mm (L/W/H)  
**Weight:** 2,20 kg



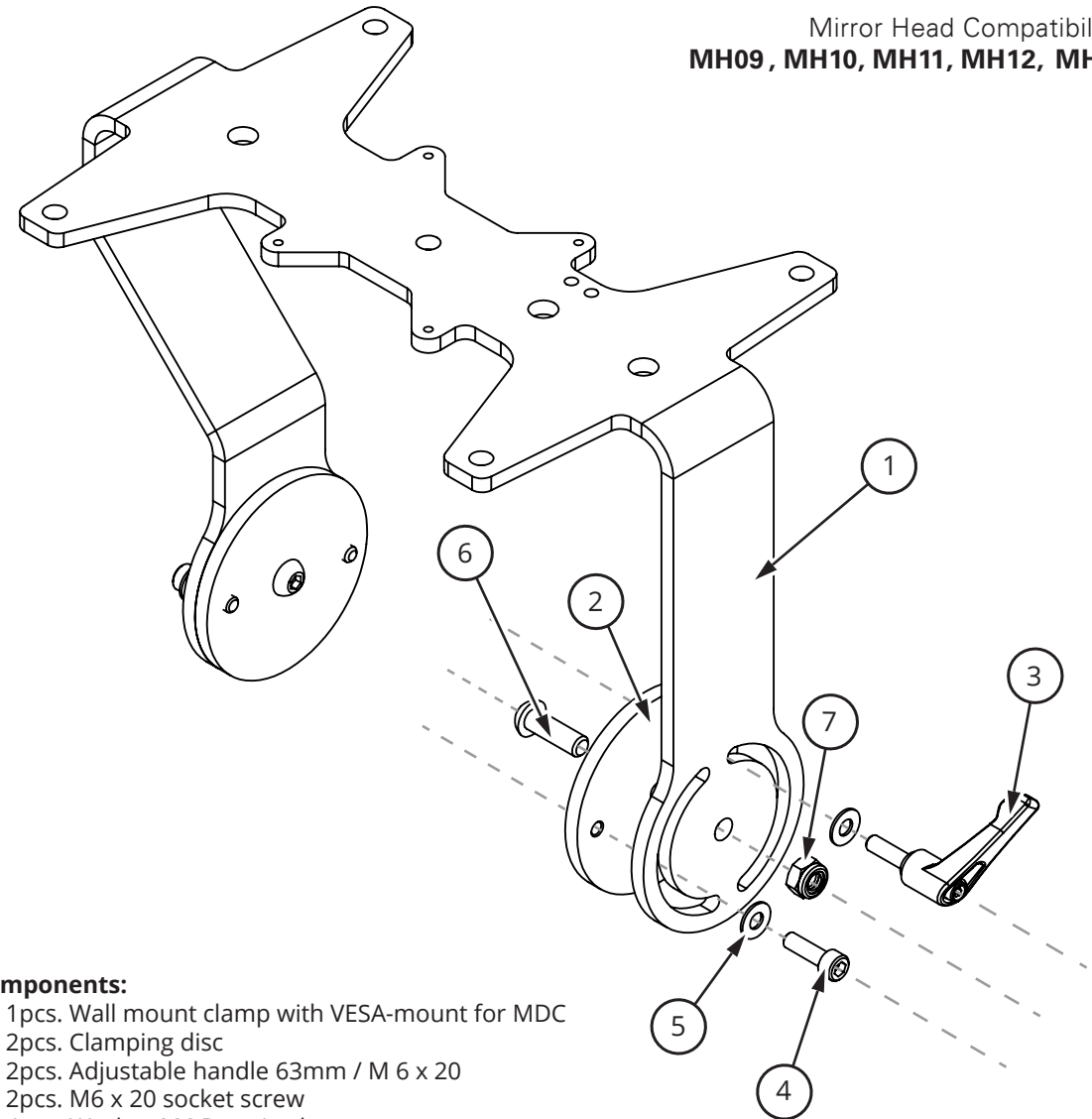
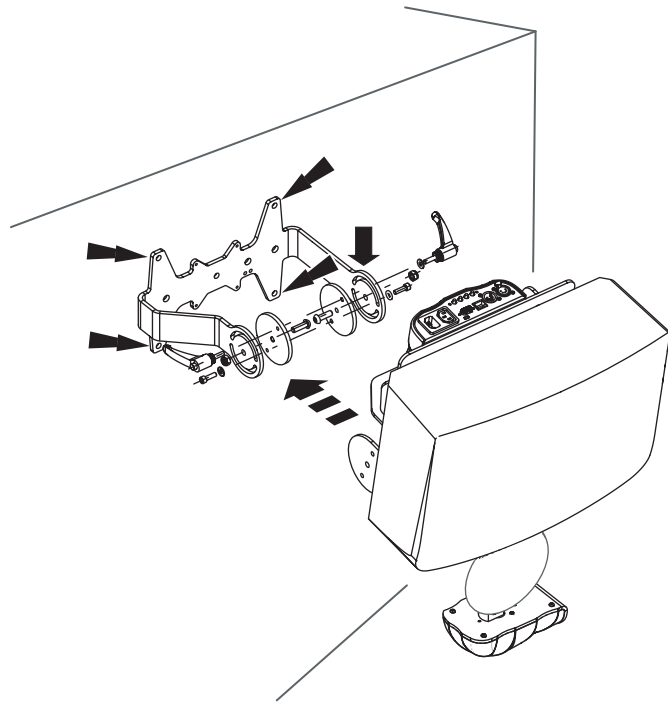
DYNAMIC PROJECTION  
 INSTITUTE  
 office@dynamicprojection.com - www.dynamicprojection.com

Truss Mount Clamp / Montagebügel Truss

MHZ-BT

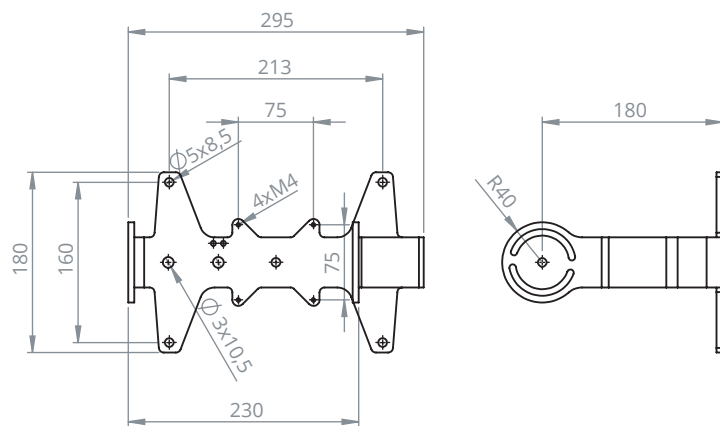
2018-03-27

Mirror Head Compatibility:  
**MH09, MH10, MH11, MH12, MH13**




**Components:**

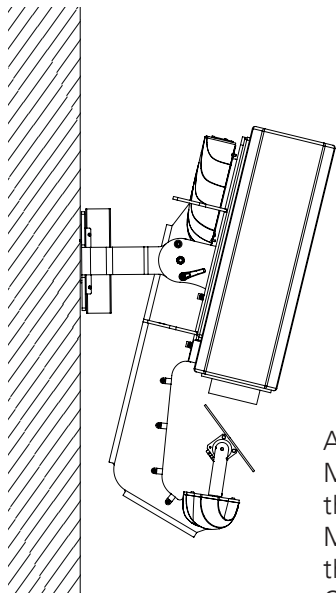
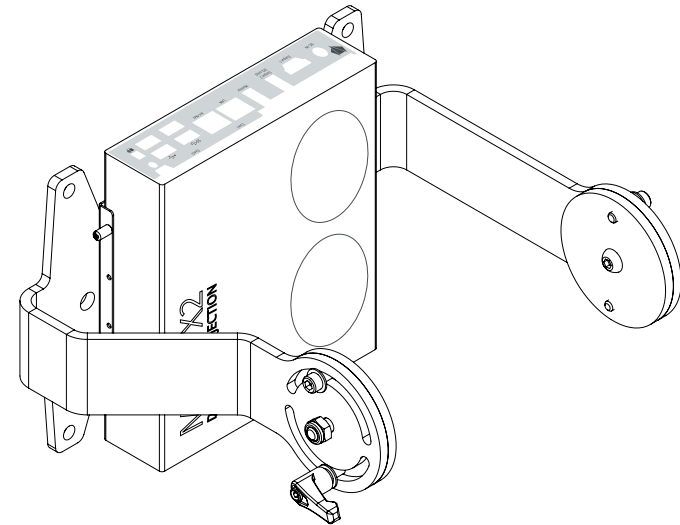
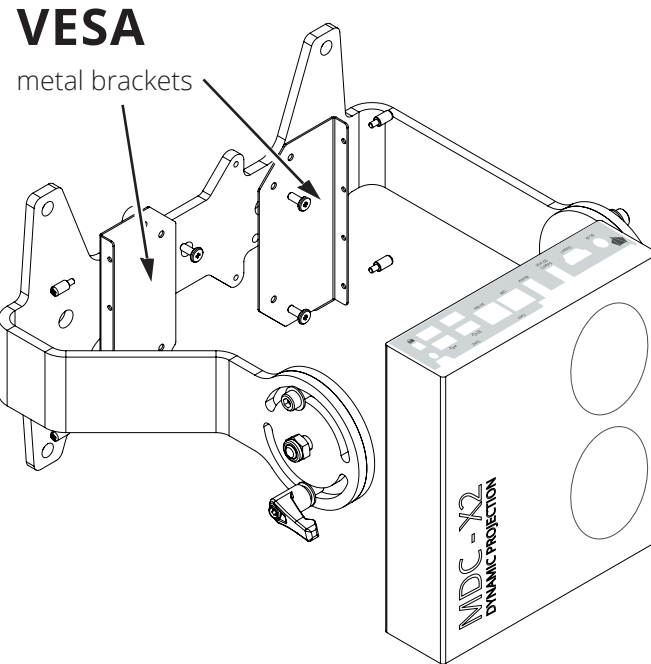
- (1) 1pcs. Wall mount clamp with VESA-mount for MDC
- (2) 2pcs. Clamping disc
- (3) 2pcs. Adjustable handle 63mm / M 6 x 20
- (4) 2pcs. M6 x 20 socket screw
- (5) 4pcs. Washer M6 Recla-Lock
- (6) 2pcs. M8 x 25 cap screw with round head
- (7) 2pcs. M8 lock nut



**Dimensions:** 295 x 180 x 220 mm (L/W/H)  
**Weight:** 2,80 kg

S.1

 <p>DYNAMIC PROJECTION          INSTITUTE          office@dynamicprojection.com - www.dynamicprojection.com</p>	Wall Mount Clamp / Montagebügel Wand	
	MHZ-BW	2017-11-13



Assembly of the Mirror Head with the projector and MDC-X Server on the Wall Mount Clamp

Additional to the projector-mount there is the option to mount the MDC-X Server on the Wall Mount Clamp.

The MDC-X package includes VESA metal brackets for 75/100 standard mount, plus, four thumbscrews M3 x 5 mm and four screws M4 x 10 mm

S.2



DYNAMIC PROJECTION  
INSTITUTE

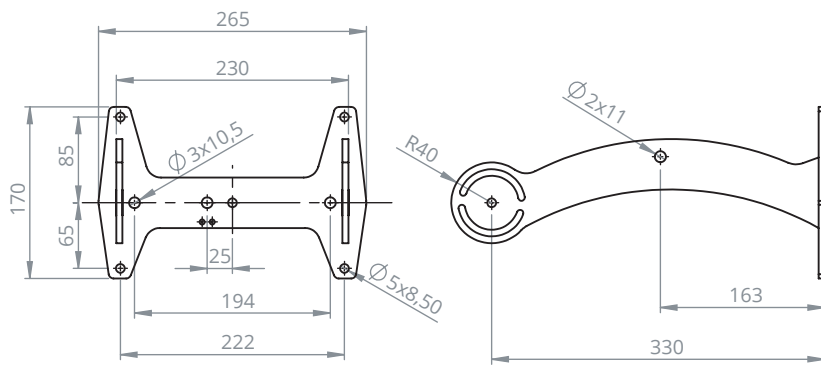
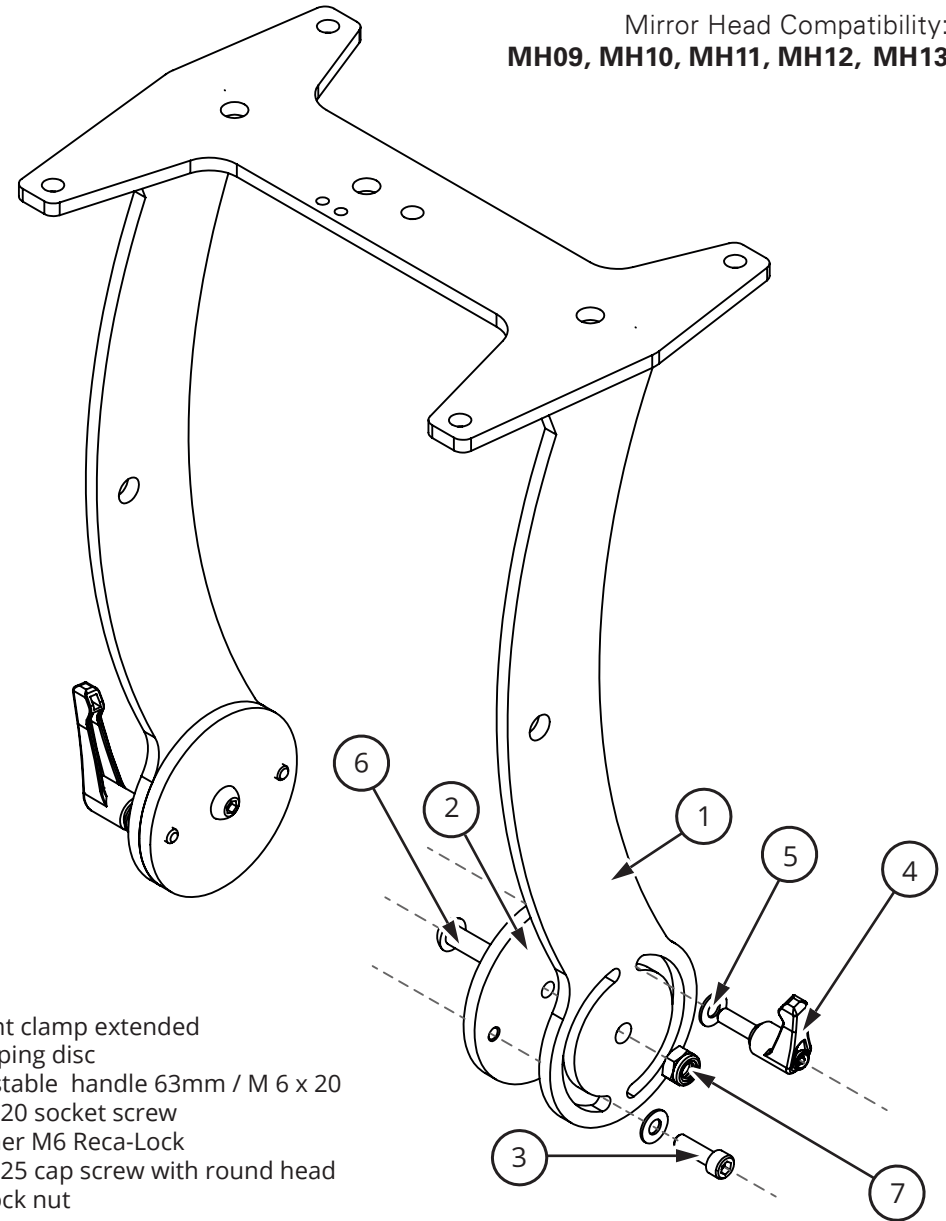
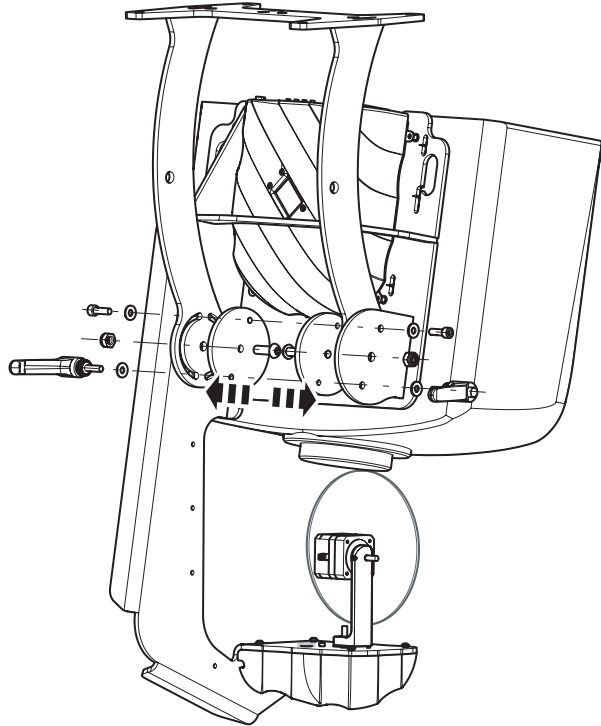
office@dynamicprojection.com - www.dynamicprojection.com

Wall Mount Clamp/ Montagebügel Wand

MHZ-BW with MDC-X

2018-01-17

Mirror Head Compatibility:  
**MH09, MH10, MH11, MH12, MH13**



**Components:**

- (1) 1pcs. Mount clamp extended
- (2) 2pcs. Clamping disc
- (3) 2pcs. Adjustable handle 63mm / M 6 x 20
- (4) 2pcs. M6 x 20 socket screw
- (5) 4pcs. Washer M6 Reca-Lock
- (6) 2pcs. M8 x 25 cap screw with round head
- (7) 2pcs. M8 lock nut

**Dimensions:** 265 x 170 x 370 mm (L/W/H)  
**Weight:** 3,30 kg



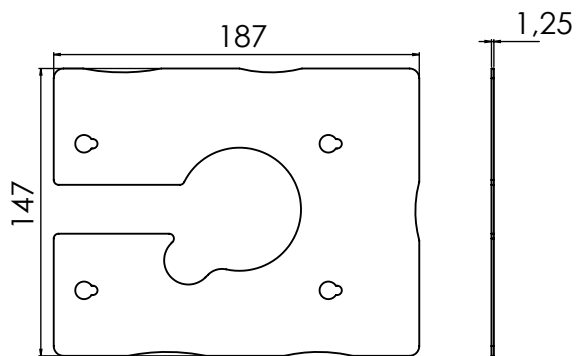
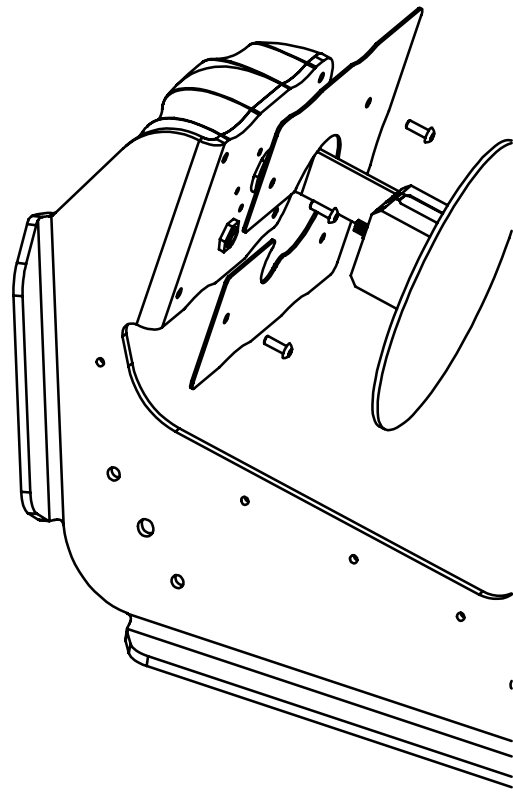
DYNAMIC PROJECTION  
 INSTITUTE

office@dynamicprojection.com - www.dynamicprojection.com

Extended Mount Clamp / Montagebügel Extended

MHZ-BE

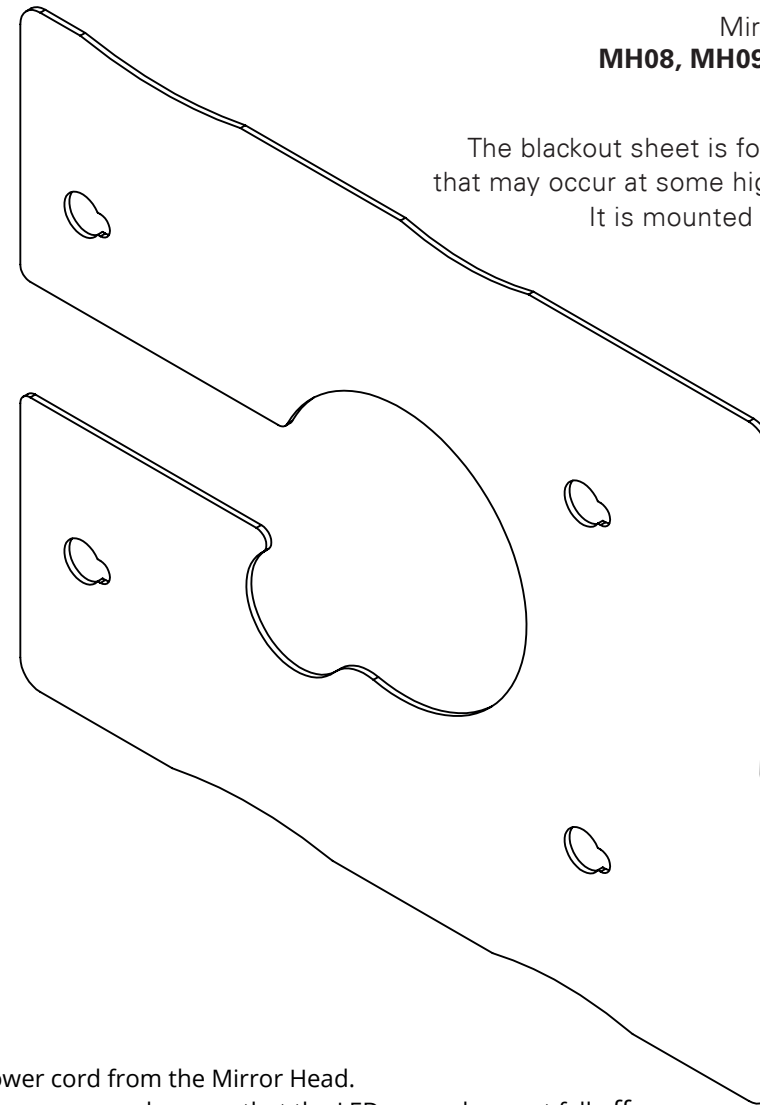
2017-11-10



**Dimensions:** 187 x 147 x 2 mm (L/W/H)  
**Weight:** 0,2 kg

Mirror Head Compatibility:  
**MH08, MH09, MH10, MH11, MH13**

The blackout sheet is for avoiding the light-spill that may occur at some high angles of projection. It is mounted below the LED head of the Mirror Head.



- 1) Remove the power cord from the Mirror Head.
- 2) Remove the four screws and ensure that the LED cover does not fall off.
- 3) Place the Blackout Plate in the correct position.
- 4) Remount the four screws back in place and tighten them.



DYNAMIC PROJECTION  
 INSTITUTE

office@dynamicprojection.com - www.dynamicprojection.com

Blackout Plate Assembly

MHZ-BB4

2017-12-18