

**Components:**

- (1) 1pcs. Module support with mounting plate
- (2) 1pcs. Control unit with connection ports and control buttons
- (3) 1pcs. Mechanical mirror drive (PAN / TILT)

**Dimensions:** 811 x 305 x 287mm (L/W/H)

**Weight:** 6,6 kg

The illustrations may differ in some details from the original.  
Subject to change without prior notice.



DYNAMIC PROJECTION  
INSTITUTE

office@dynamicprojection.com - www.dynamicprojection.com

Mirror Head / MH14

MH14

2017-11-09

**Mirror Head:** MH14  
**Frame:** Projector Frame Lang AG ET-RFD21  
**Projector:** Panasonic PT-DZ21K2  
**Fixture total:** 54,6 kg  
**Fixture total with Lang AG frame:** 73,0 kg  
 (The use of a frame is optional)

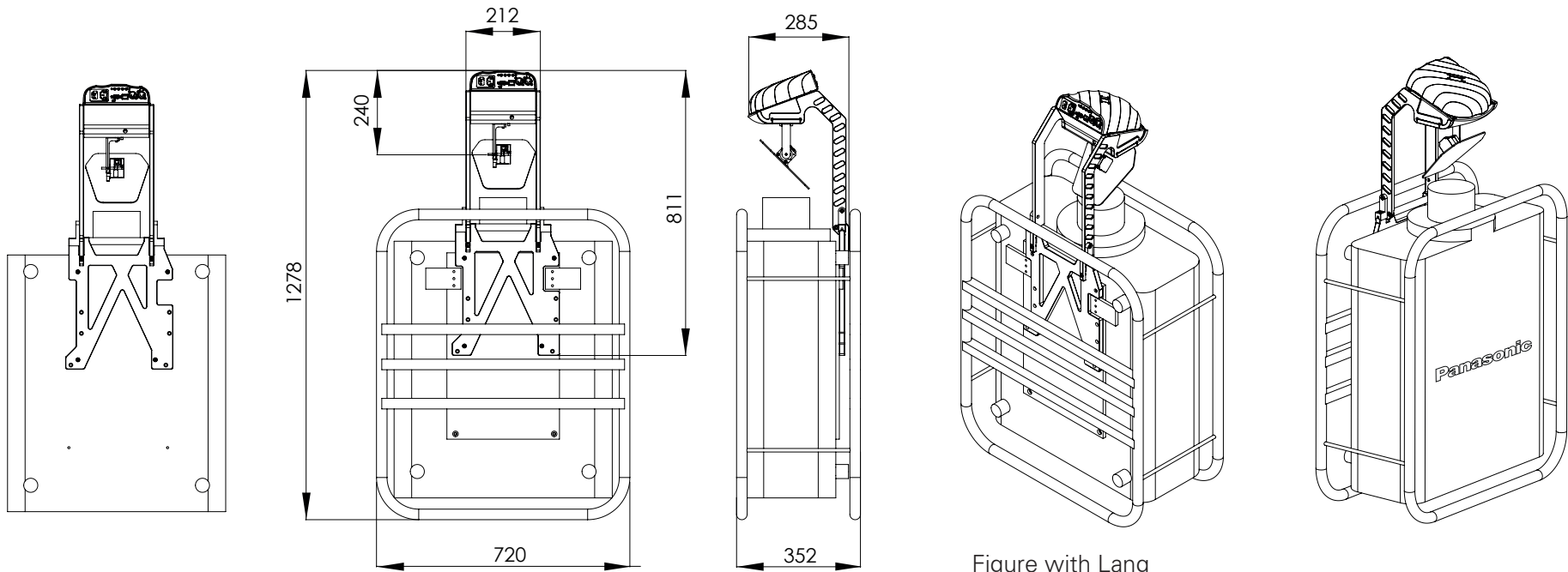



Figure with Lang Frame

 DYNAMIC PROJECTION INSTITUTE <small>office@dynamicprojection.com - www.dynamicprojection.com</small>	Mirror Head / MH14	
	MH14	2017-11-09