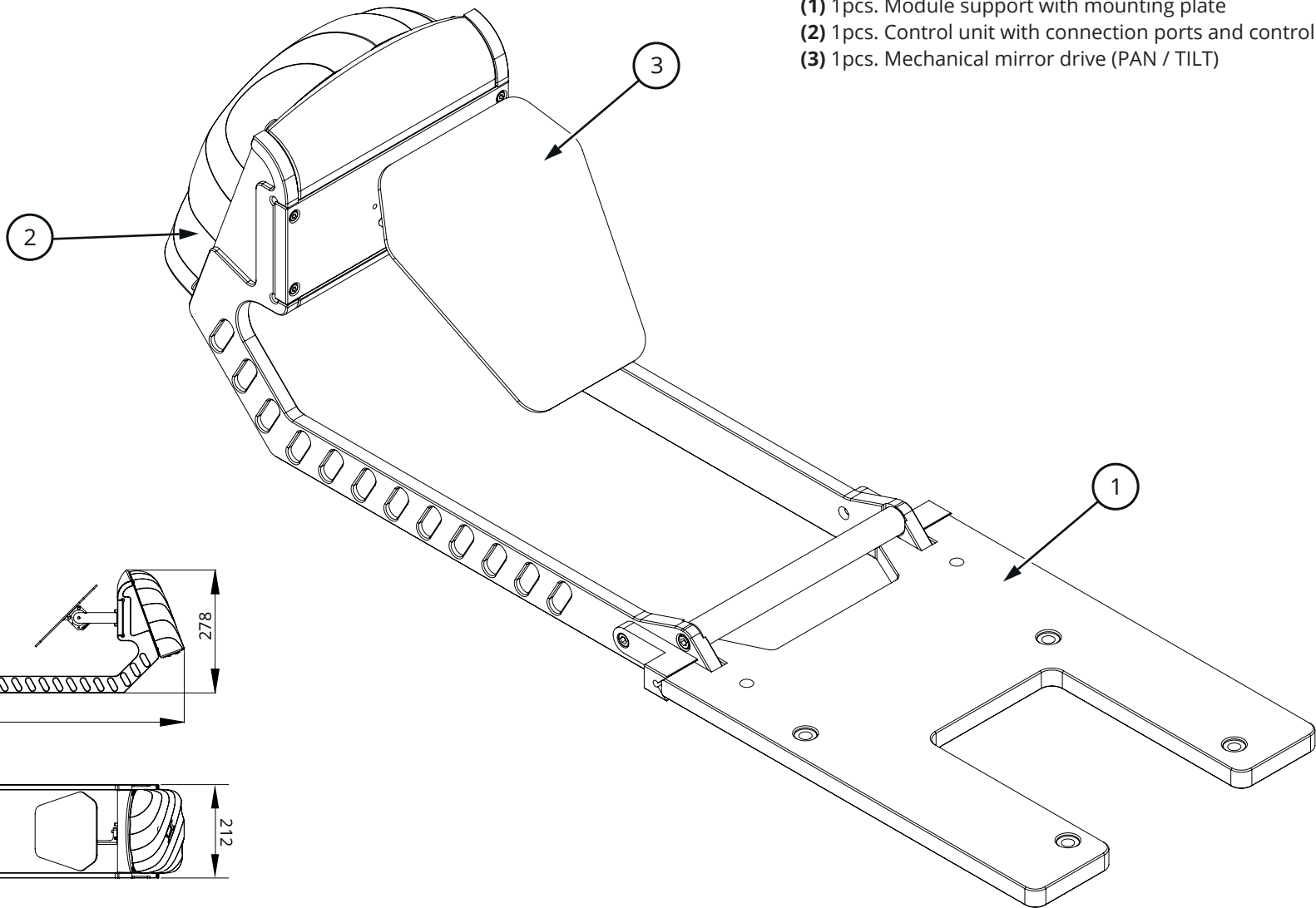


Components:

- (1) 1pcs. Module support with mounting plate
- (2) 1pcs. Control unit with connection ports and control buttons
- (3) 1pcs. Mechanical mirror drive (PAN / TILT)



Dimensions: 892 x 272 x 278mm (L/W/H)

Weight: 7,3 kg

The illustrations may differ in some details from the original.
Subject to change without prior notice.



DYNAMIC PROJECTION
INSTITUTE

office@dynamicprojection.com - www.dynamicprojection.com

Mirror Head / MH16

MH16

2017-11-09

Mirror Head: MH16
Frame: M Series Stacking Frame
Projector: Christie HD14K-M
Fixture total: 38 kg
Fixture total with M Series Stacking Frame: 61 kg
 (The use of a frame is optional)

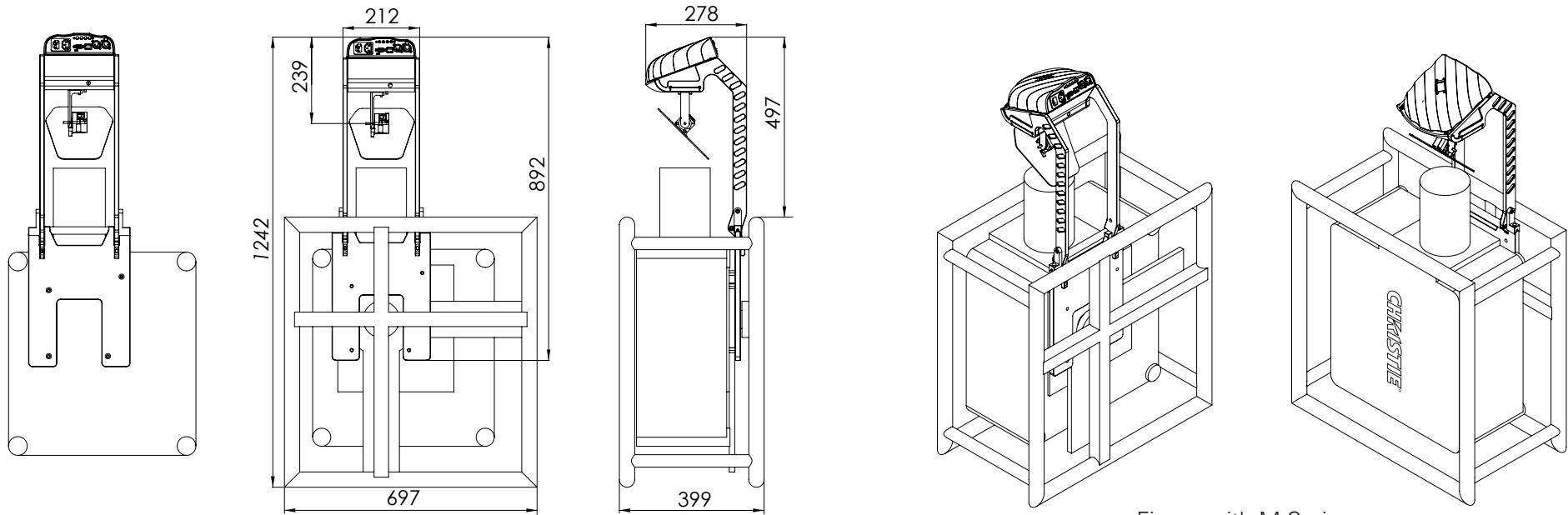


Figure with M Series Stacking Frame



DYNAMIC PROJECTION
INSTITUTE

office@dynamicprojection.com - www.dynamicprojection.com

Mirror Head / MH16

MH16

2017-11-09