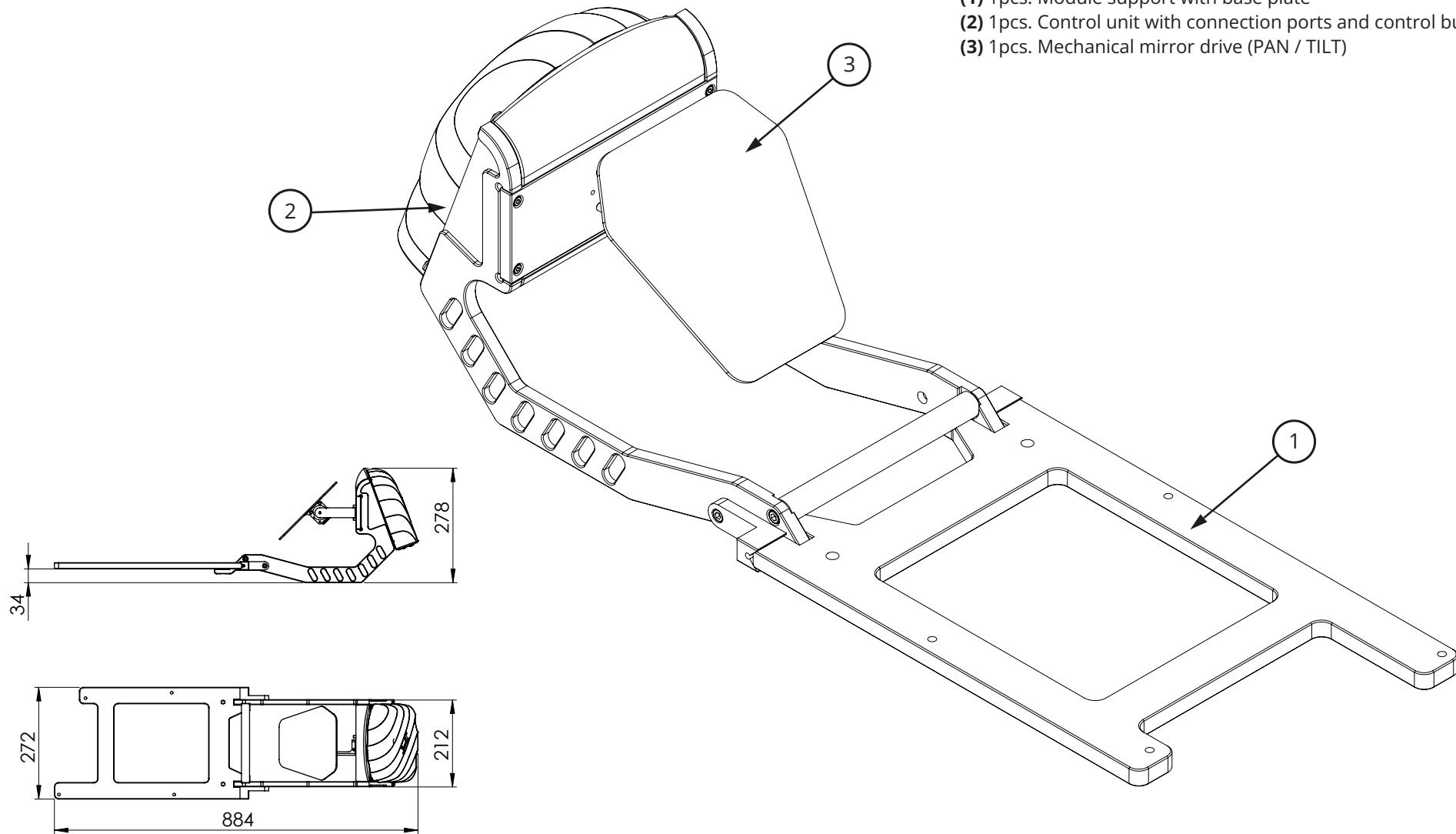


Components:

- (1) 1pcs. Module support with base plate
- (2) 1pcs. Control unit with connection ports and control buttons
- (3) 1pcs. Mechanical mirror drive (PAN / TILT)



Dimensions: 884 x 272 x 278mm (L/W/H)

Weight: 6,5 kg

The illustrations may differ in some details from the original.
Subject to change without prior notice.



DYNAMIC PROJECTION
INSTITUTE

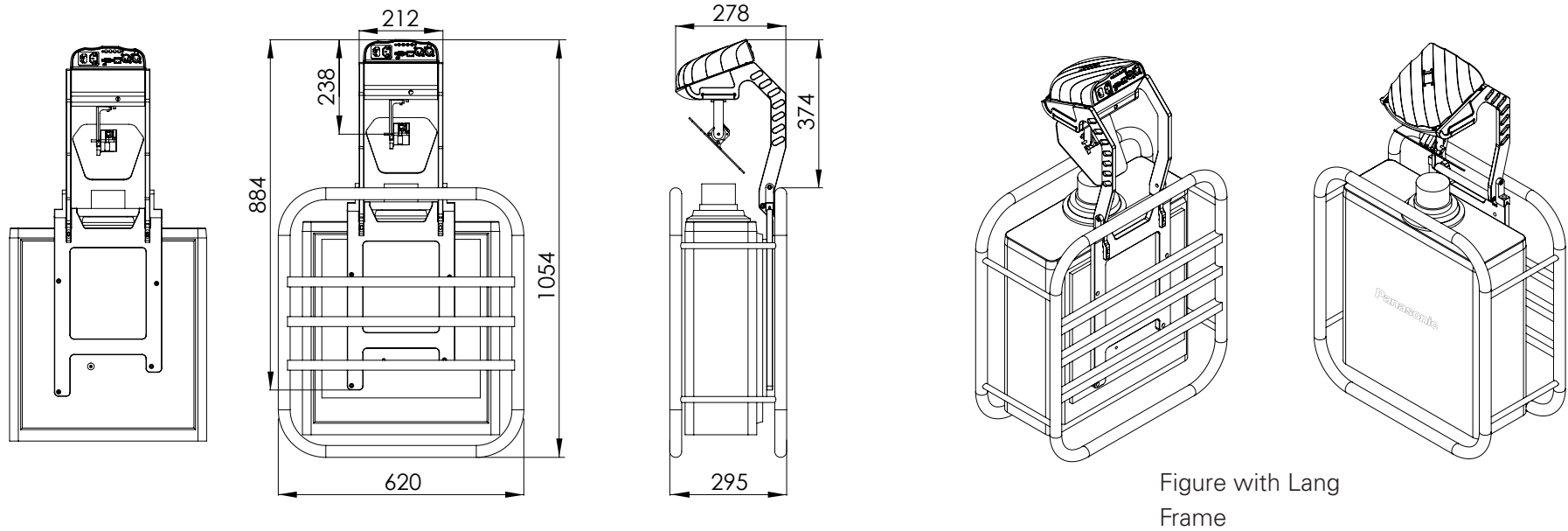
office@dynamicprojection.com - www.dynamicprojection.com

Mirror Head / MH17

MH17

2017-11-09

Mirror Head: MH17
Frame: Projector Frame Lang AG ET-RFD91
Projector: Panasonic PT-RZ970
Fixture total: 29 kg
Fixture total with Lang AG frame: 40 kg
 (The use of a frame is optional)



DYNAMIC PROJECTION
INSTITUTE

office@dynamicprojection.com - www.dynamicprojection.com

Mirror Head / MH17

MH17

2017-11-09