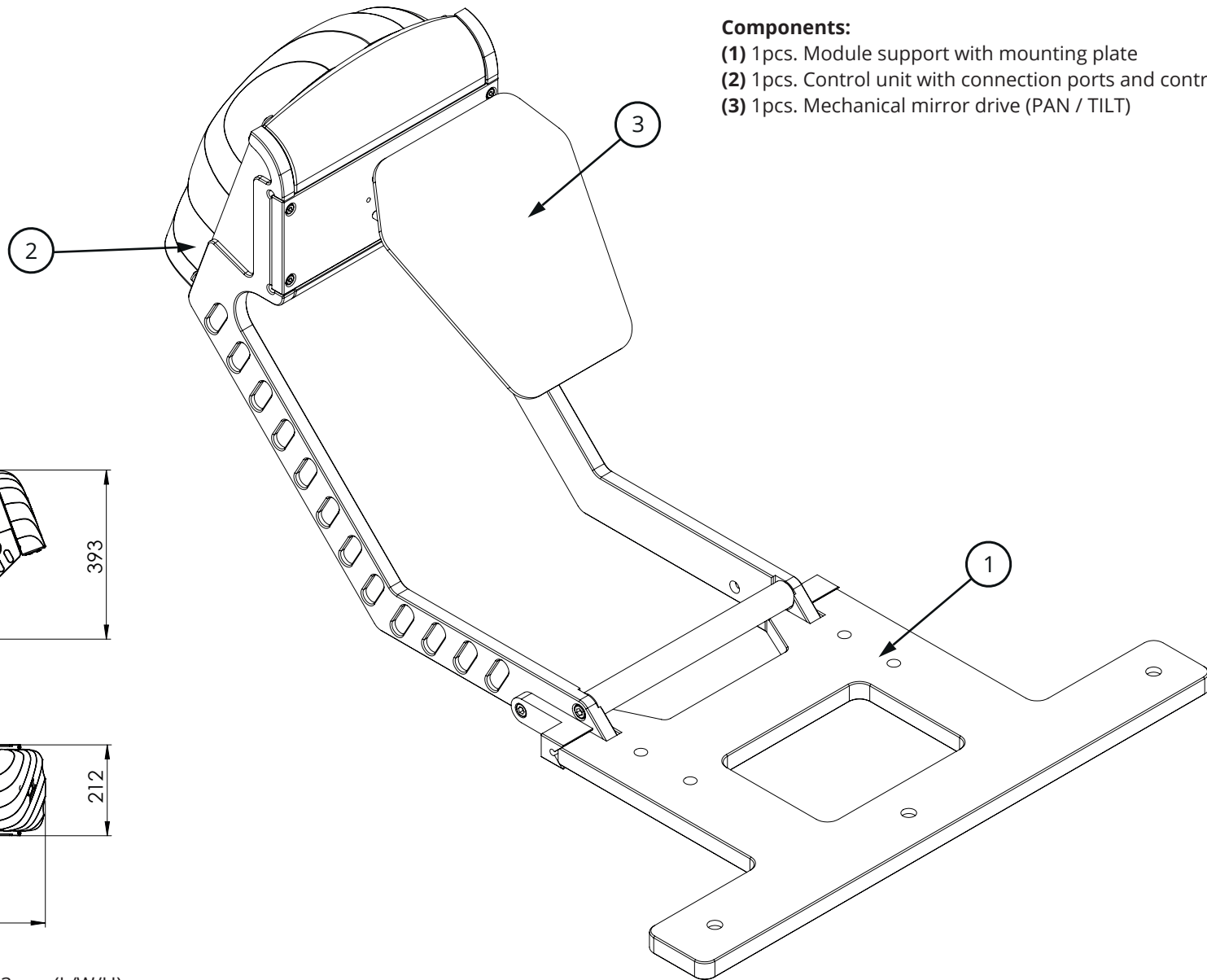


Components:

- (1) 1pcs. Module support with mounting plate
- (2) 1pcs. Control unit with connection ports and control buttons
- (3) 1pcs. Mechanical mirror drive (PAN / TILT)



Dimensions: 709 x 500 x 393mm (L/W/H)

Weight: 7,2 kg

The illustrations may differ in some details from the original.
Subject to change without prior notice.



DYNAMIC PROJECTION
INSTITUTE

office@dynamicprojection.com - www.dynamicprojection.com

Mirror Head / MH18

MH18

2017-11-09

Mirror Head: MH18
Frame: Projector Frame Lang AG PT-RZ31
Projector: Panasonic PT-RZ31K
Fixture total: 91 kg
Fixture total with Lang AG frame: 123 kg
 (The use of a frame is optional)

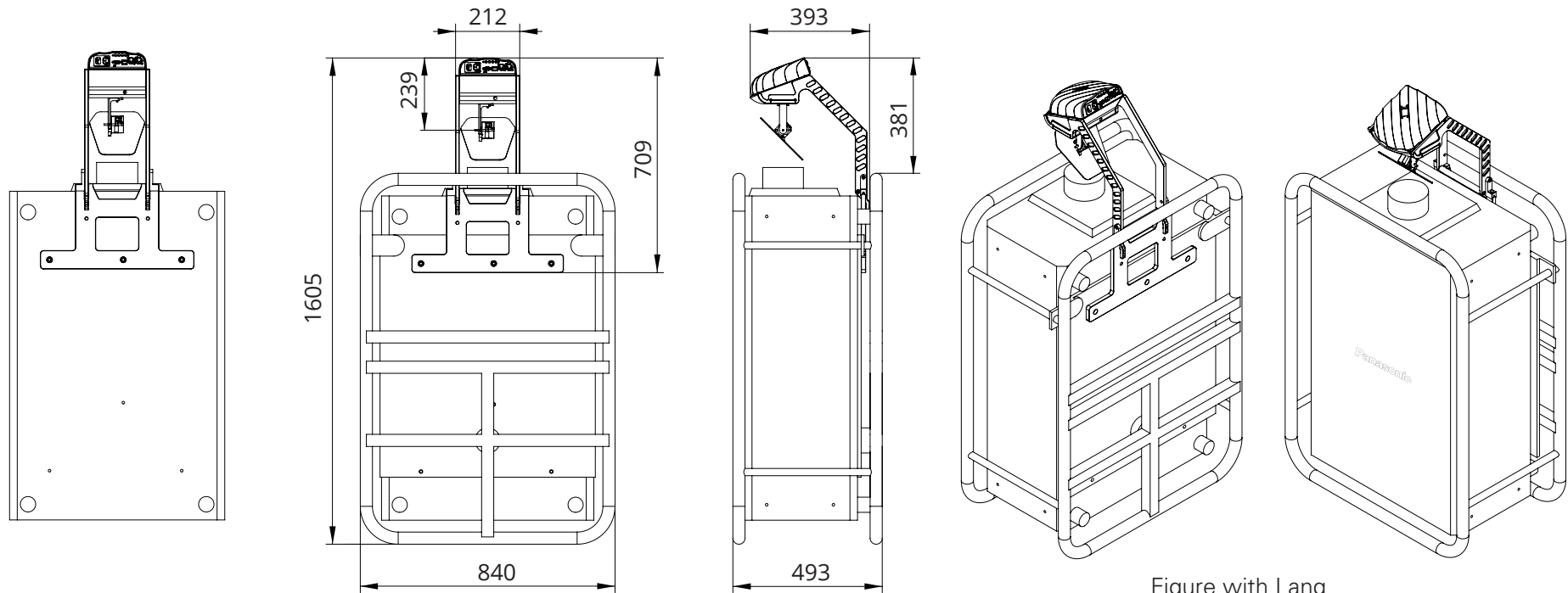



Figure with Lang Frame

 DYNAMIC PROJECTION INSTITUTE <small>office@dynamicprojection.com - www.dynamicprojection.com</small>	Mirror Head / MH18	
	MH18	2017-11-09