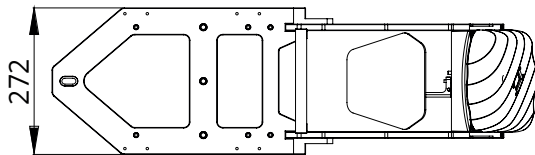
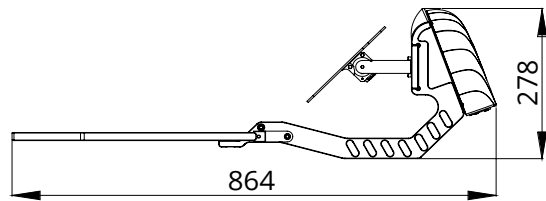
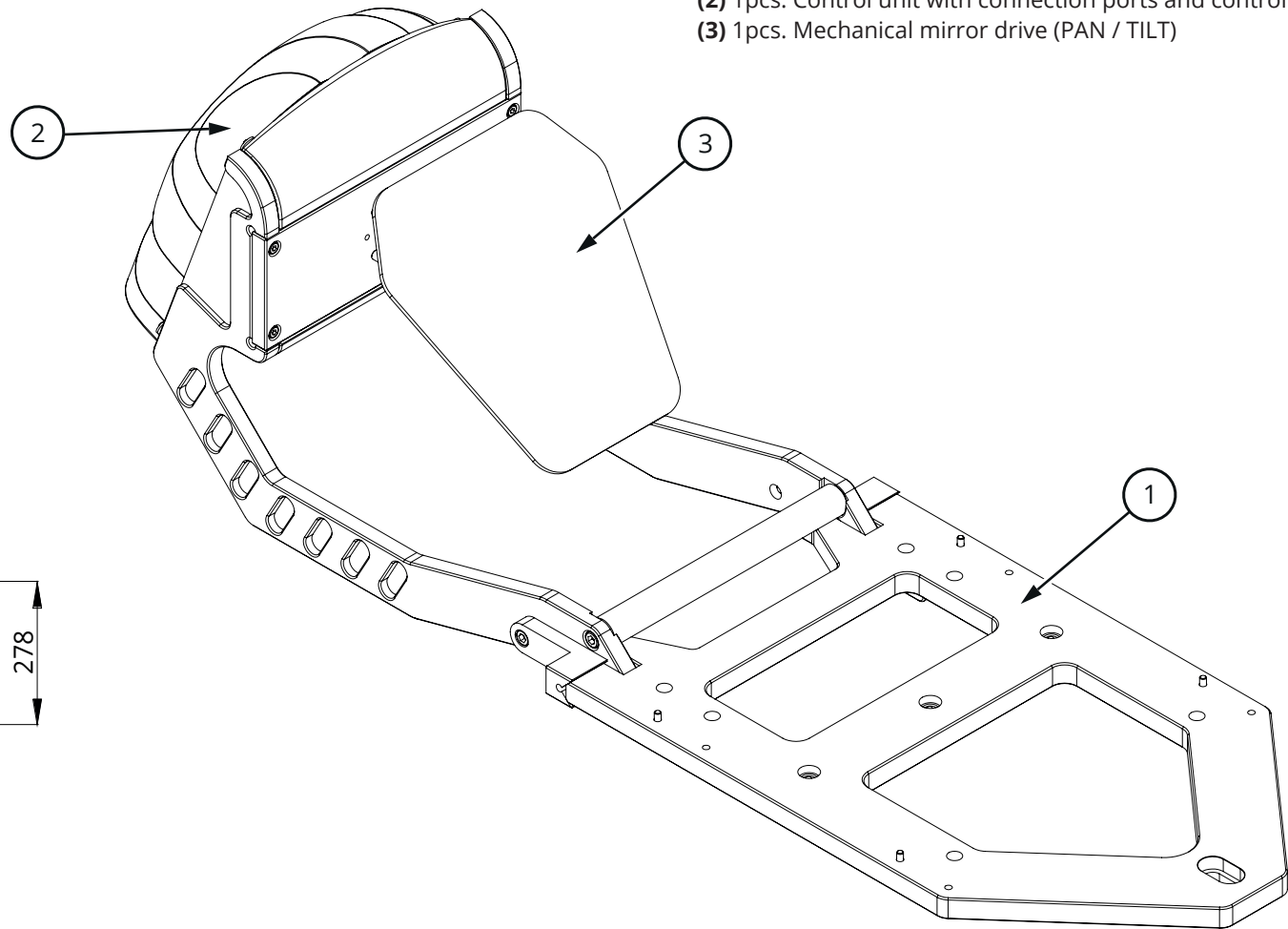


Components:

- (1) 1pcs. Module support with mounting plate
- (2) 1pcs. Control unit with connection ports and control buttons
- (3) 1pcs. Mechanical mirror drive (PAN / TILT)



Dimensions: 864 x 272 x 278 mm

Weight: 7 kg

The illustrations may differ in some details from the original.
Subject to change without prior notice.



DYNAMIC PROJECTION
INSTITUTE

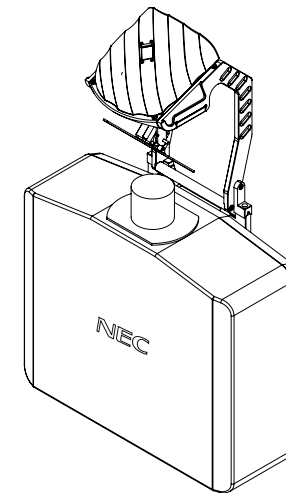
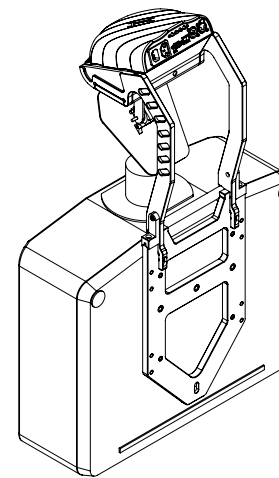
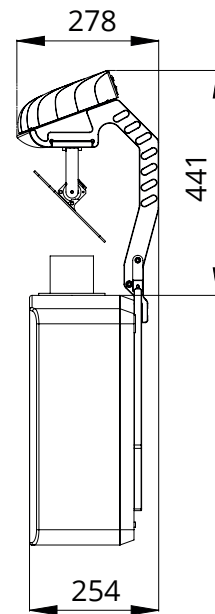
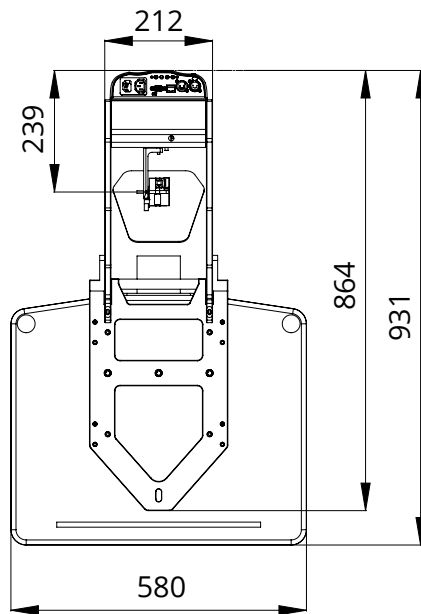
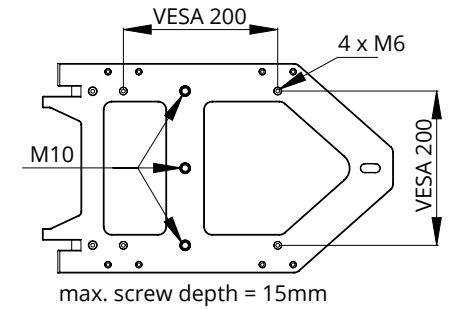
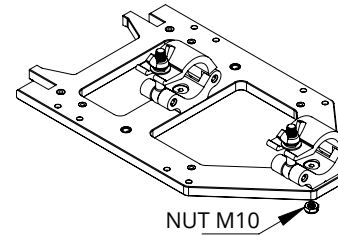
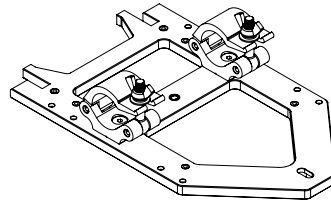
office@dynamicprojection.com - www.dynamicprojection.com

Mirror Head / MH19

MH19

2018-05-07

Mirror Head: MH19
Frame: /
Projector: NEC PA653UL
Fixture total: 27 kg



DYNAMIC PROJECTION
 INSTITUTE

office@dynamicprojection.com - www.dynamicprojection.com

Mirror Head / MH19

MH19

2018-05-07