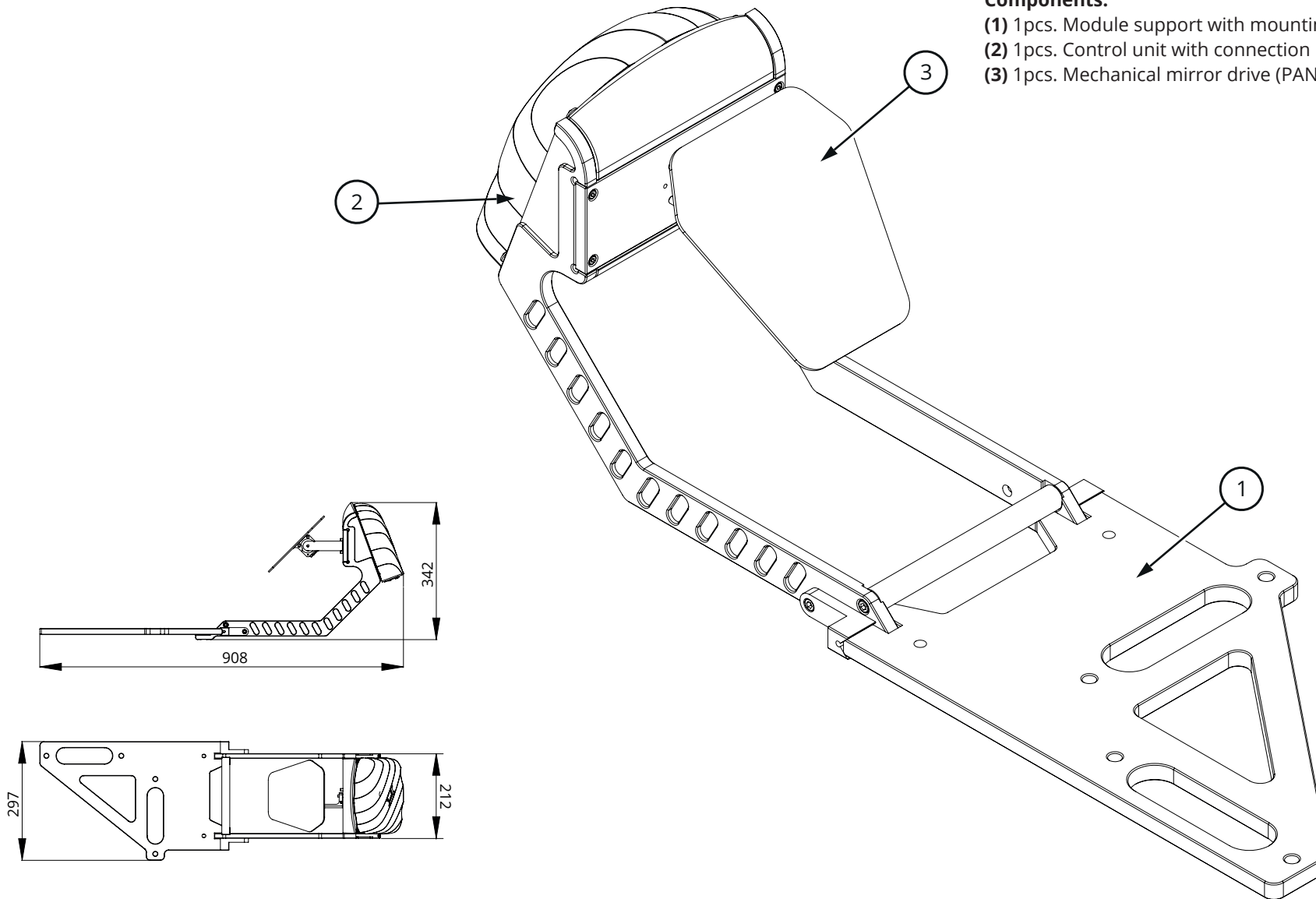


**Components:**

- (1) 1pcs. Module support with mounting plate
- (2) 1pcs. Control unit with connection ports and control buttons
- (3) 1pcs. Mechanical mirror drive (PAN / TILT)



**Dimensions:** 908 x 297 x 342mm (L/W/H)

**Weight:** 7,5 kg

The illustrations may differ in some details from the original.  
Subject to change without prior notice.



DYNAMIC PROJECTION  
INSTITUTE

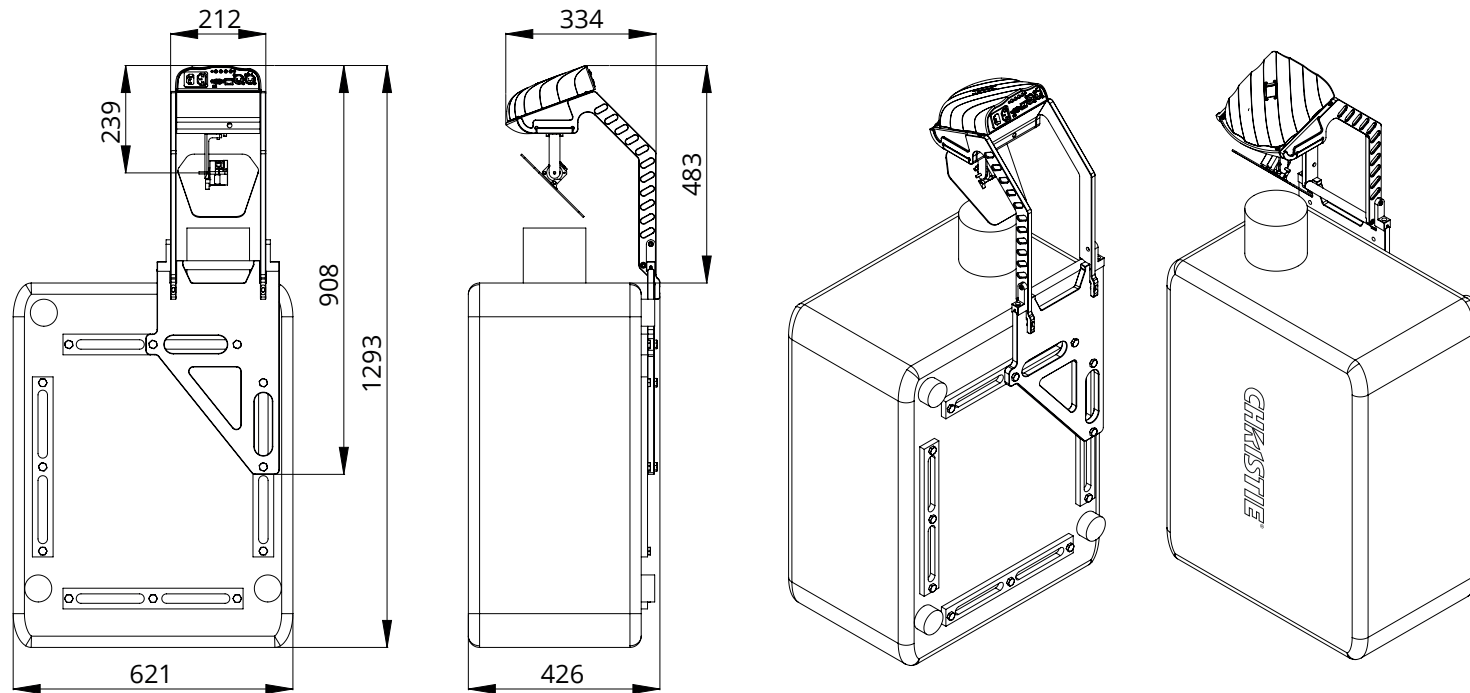
office@dynamicprojection.com - www.dynamicprojection.com

Mirror Head / MH20

MH20

2017-11-09

**Mirror Head:** MH20  
**Frame:** /  
**Projector:** Christie HD20K-J  
**Fixture total:** 91 kg



DYNAMIC PROJECTION  
 INSTITUTE

[office@dynamicprojection.com](mailto:office@dynamicprojection.com) - [www.dynamicprojection.com](http://www.dynamicprojection.com)

Mirror Head / MH20

MH20

2017-11-09