

**Components:**

- (1) 1pcs. Module support with mounting plate
- (2) 1pcs. Control unit with connection ports and control buttons
- (3) 1pcs. Mechanical mirror drive (PAN / TILT)

**Dimensions:** 1423 x 580 x 287mm

**Weight:** 8.5 kg

The illustrations may differ in some details from the original.  
Subject to change without prior notice.



DYNAMIC PROJECTION  
INSTITUTE

office@dynamicprojection.com - www.dynamicprojection.com

Mirror Head / MH21

MH21

2018-06-12

**Mirror Head:** MH21  
**Frame:** LANG Frame for Christie Boxer / CHRISTIE BOXER rigging frame (The use of a frame is optional)  
**Projector:** Christie Boxer  
**Fixture total:** 81.5 kg (without frame)

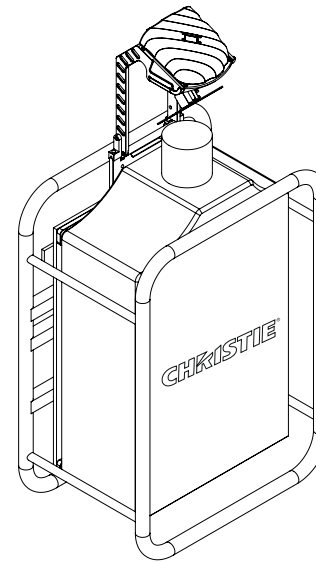
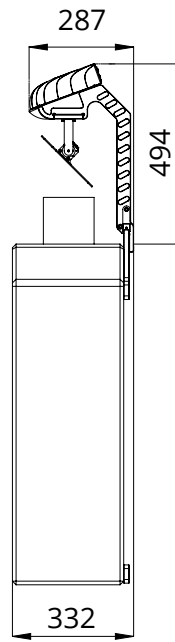
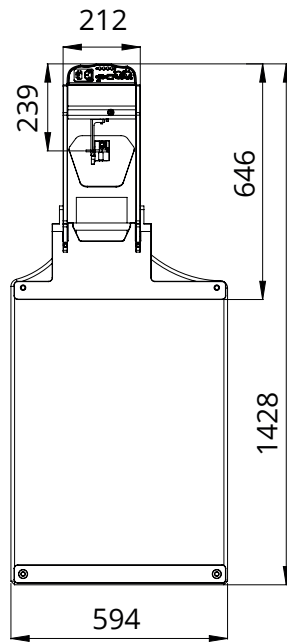


Figure with LANG frame for CHRISTIE BOXER

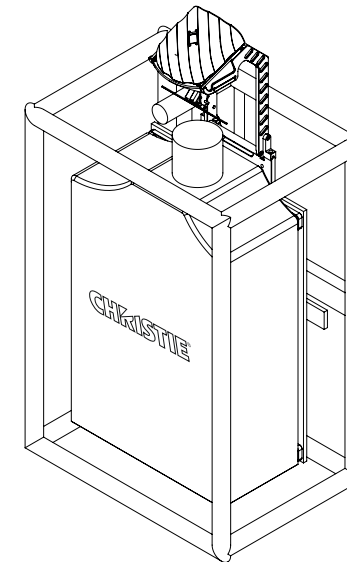


Figure with CHRISTIE BOXER rigging frame



DYNAMIC PROJECTION  
INSTITUTE

office@dynamicprojection.com - www.dynamicprojection.com

Mirror Head / MH21

MH21

2018-06-12