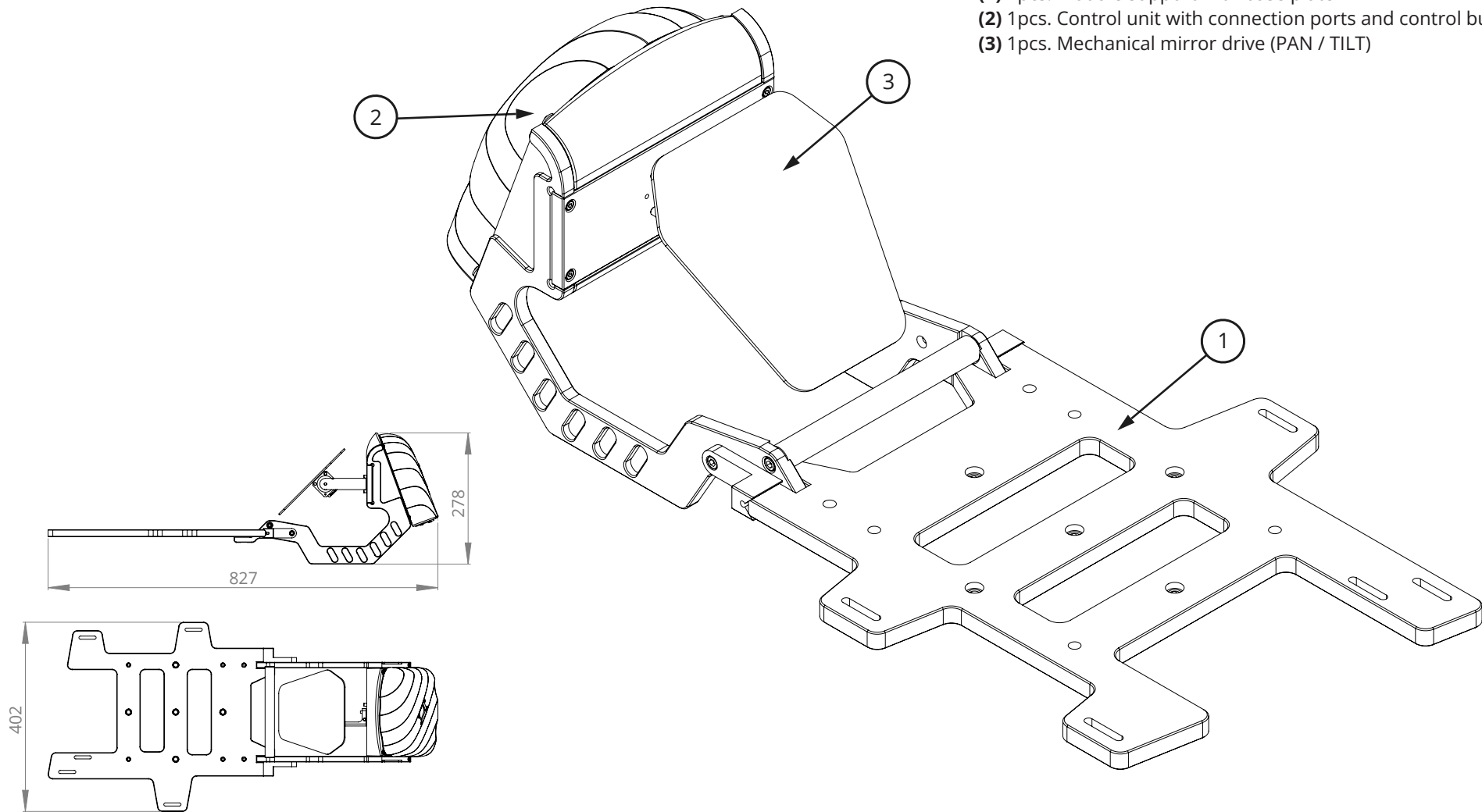


**Components:**

- (1) 1pcs. Module support with base plate
- (2) 1pcs. Control unit with connection ports and control buttons
- (3) 1pcs. Mechanical mirror drive (PAN / TILT)



**Dimensions:** 827 x 402 x 278 mm

**Weight:** 7 kg

The illustrations may differ in some details from the original.  
Subject to change without prior notice.



DYNAMIC PROJECTION  
INSTITUTE

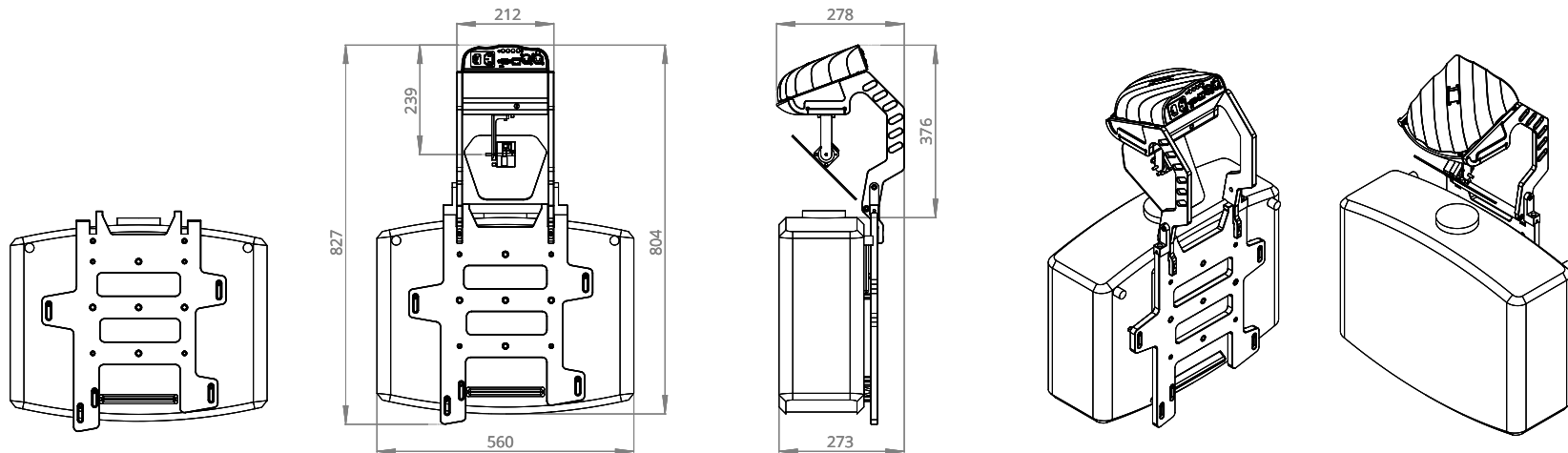
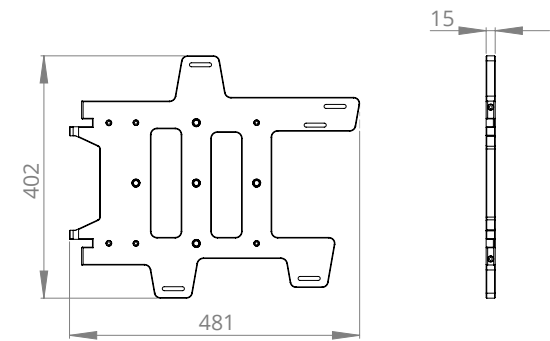
office@dynamicprojection.com - www.dynamicprojection.com

Mirror Head / MH24

MH24

2022-10-12

**Mirror Head:** MH24  
**Projector:** Panasonic PT-MZ770  
**Fixture total:** 24 kg



DYNAMIC PROJECTION  
 INSTITUTE

office@dynamicprojection.com - www.dynamicprojection.com

Mirror Head / MH24

MH24

2022-10-12