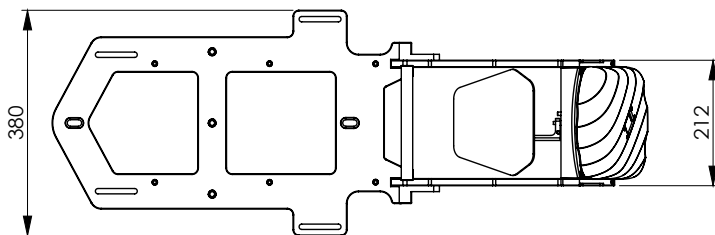
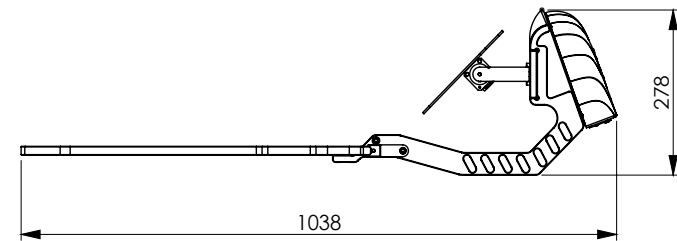
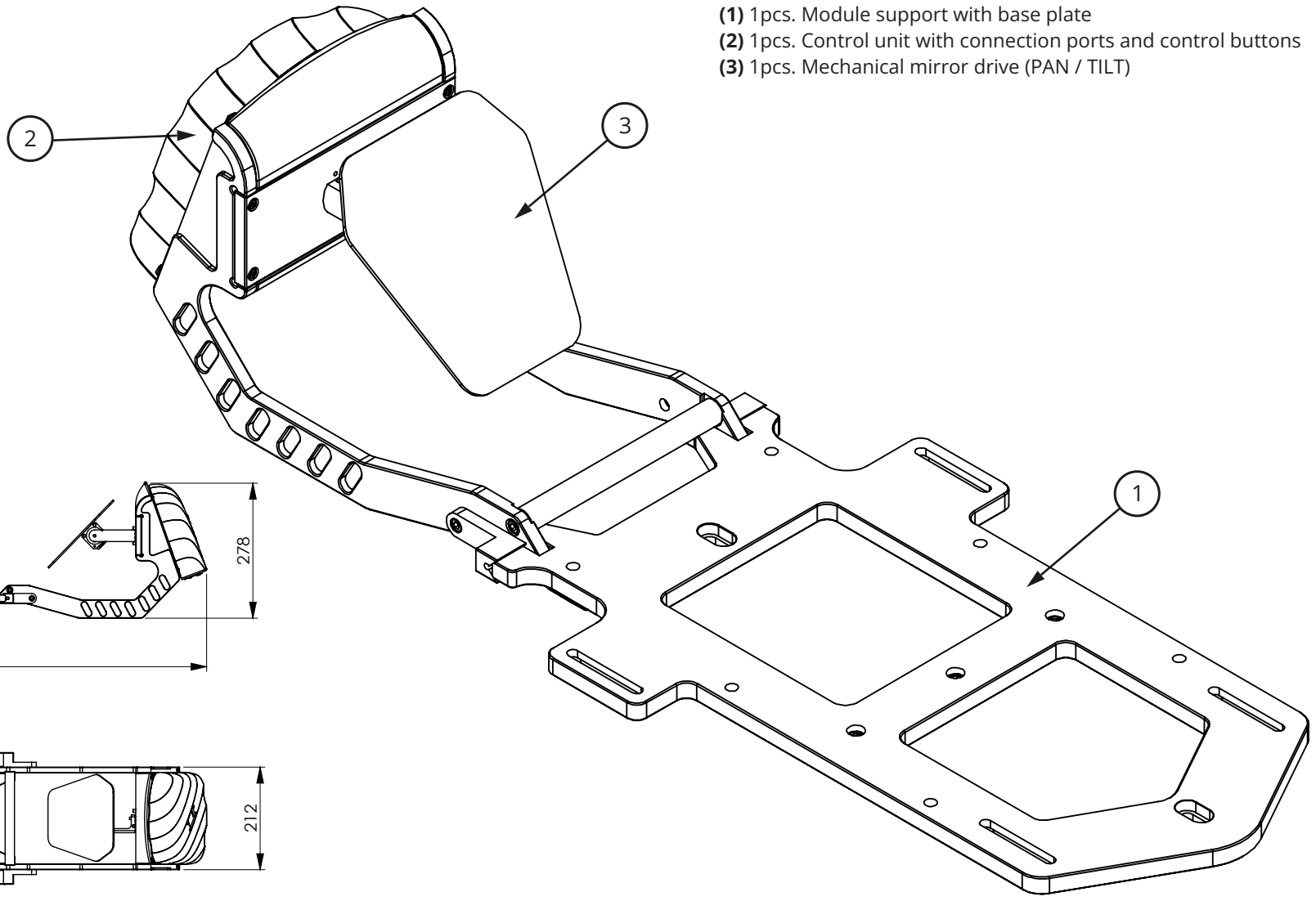


**Components:**

- (1) 1pcs. Module support with base plate
- (2) 1pcs. Control unit with connection ports and control buttons
- (3) 1pcs. Mechanical mirror drive (PAN / TILT)



**Dimensions:** 1038 x 380 x 278 mm

**Weight:** 8 kg

The illustrations may differ in some details from the original.  
Subject to change without prior notice.



DYNAMIC PROJECTION  
INSTITUTE

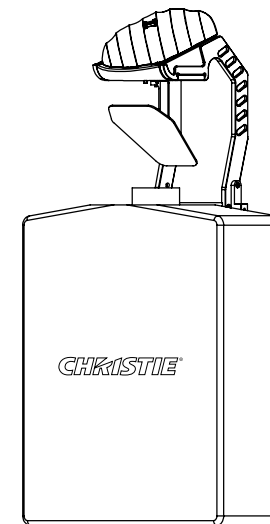
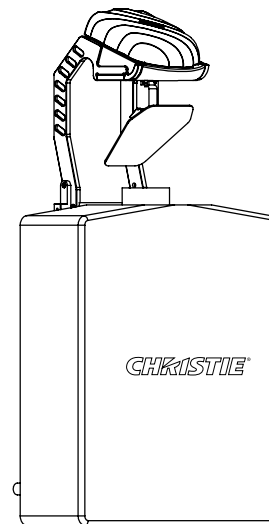
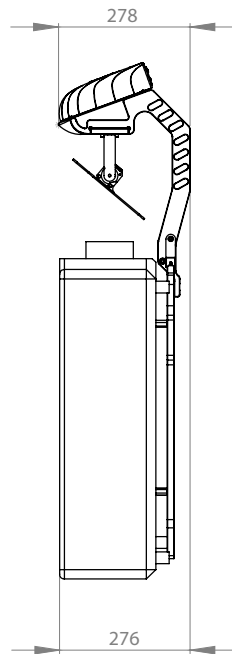
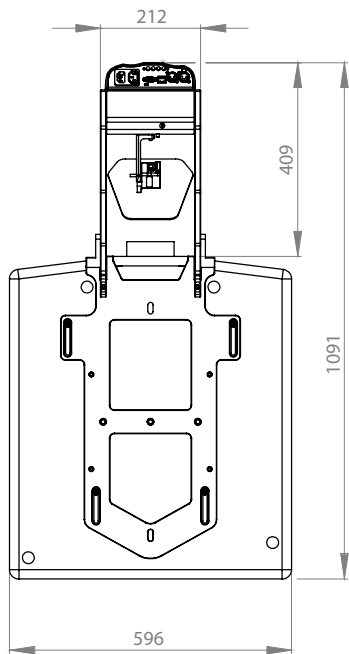
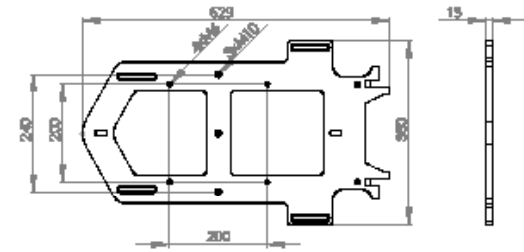
office@dynamicprojection.com - www.dynamicprojection.com

Mirror Head / MH25

MH25

2022-01-13

**Mirror Head:** MH25  
**Projector:** Christie D20WU-HS  
**Fixture total:** 51 kg



DYNAMIC PROJECTION  
 INSTITUTE

office@dynamicprojection.com - www.dynamicprojection.com

Mirror Head / MH25

MH25

2022-01-13