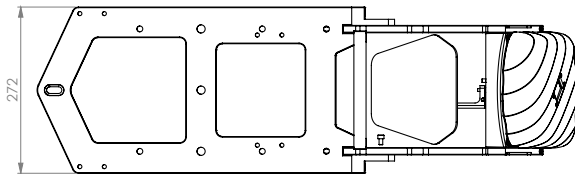
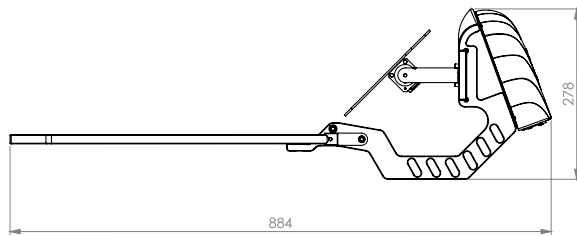
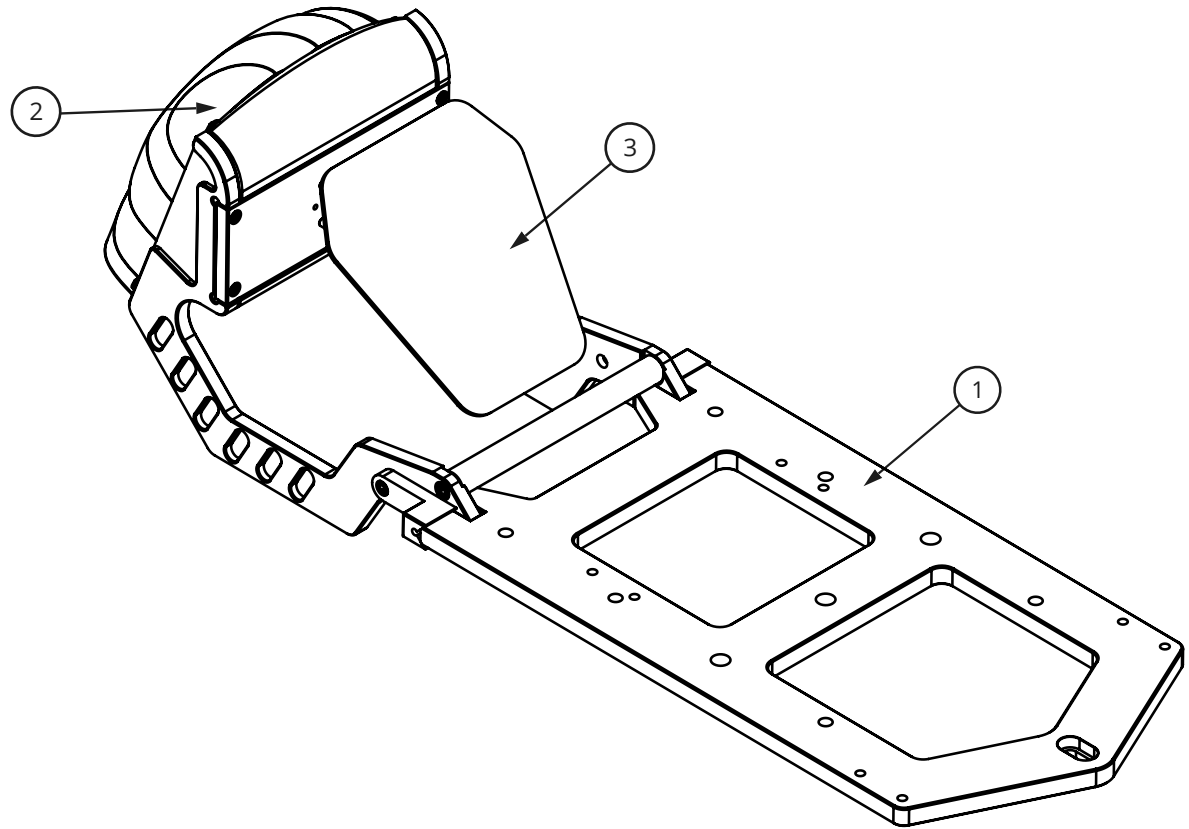


Base plate MHB-2602
Legacy / discontinued

Components:

- (1) 1pcs. Module support with base plate
- (2) 1pcs. Control unit with connection ports and control buttons
- (3) 1pcs. Mechanical mirror drive (PAN / TILT)



Dimensions: 884 x 271 x 278 mm

Weight: 8 kg

The illustrations may differ in some details from the original.
Subject to change without prior notice.



DYNAMIC PROJECTION
INSTITUTE

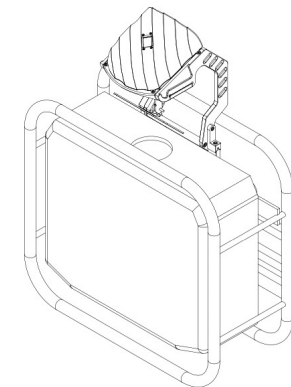
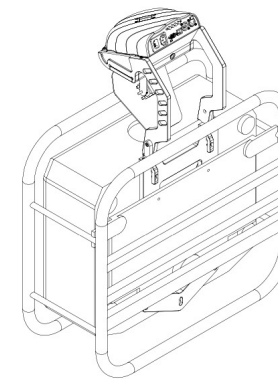
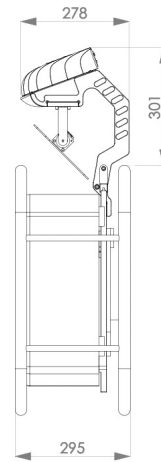
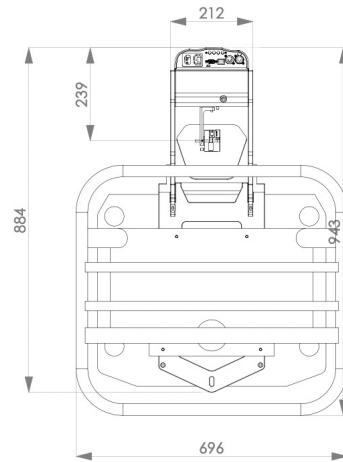
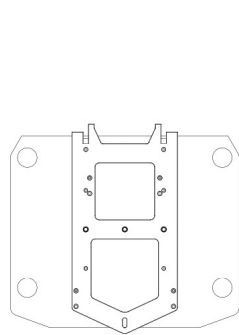
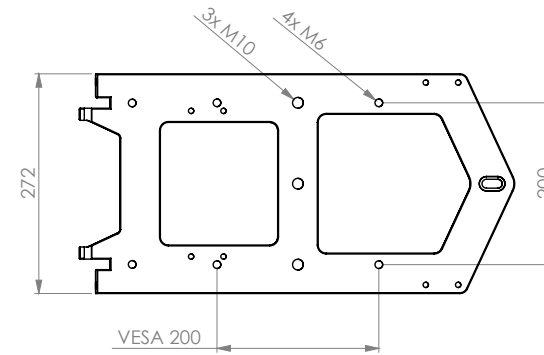
office@dynamicprojection.com - www.dynamicprojection.com

Mirror Head / MH26

MH26

2020-12-10

Mirror Head: MH26
Frame: ELPMB59 Stacking and Rigging Frame by LANG
Projector: EPSON EB-L1000
Fixture total: 64 kg



DYNAMIC PROJECTION
 INSTITUTE

office@dynamicprojection.com - www.dynamicprojection.com

Mirror Head / MH26

MH26

2020-12-10