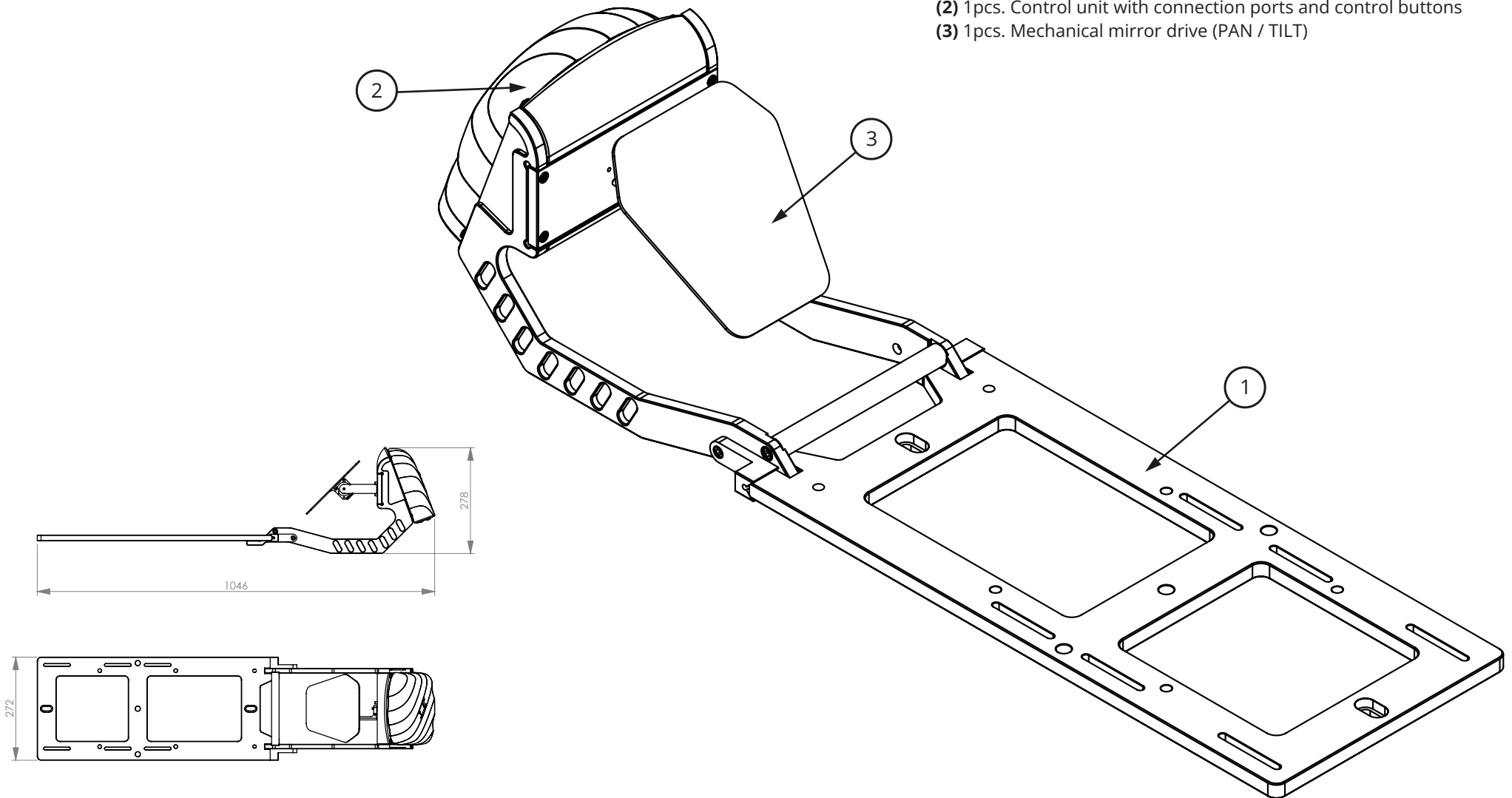


Components:

- (1) 1pcs. Module support with base plate
- (2) 1pcs. Control unit with connection ports and control buttons
- (3) 1pcs. Mechanical mirror drive (PAN / TILT)



Dimensions: 1046 x 272 x 278 mm

Weight: 9 kg

The illustrations may differ in some details from the original.
Subject to change without prior notice.



DYNAMIC PROJECTION
INSTITUTE

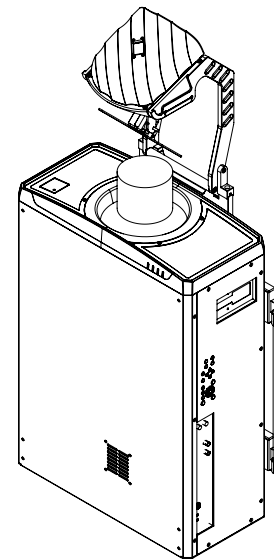
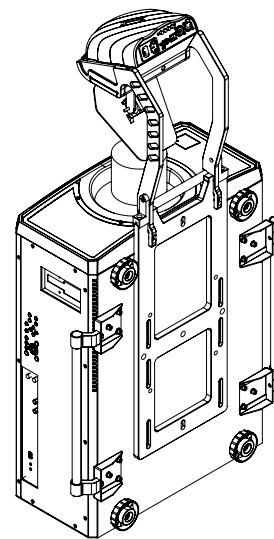
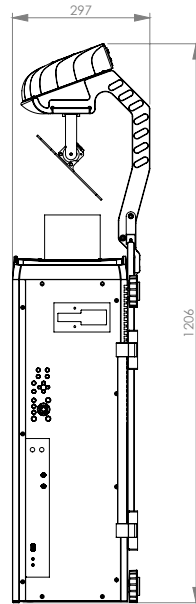
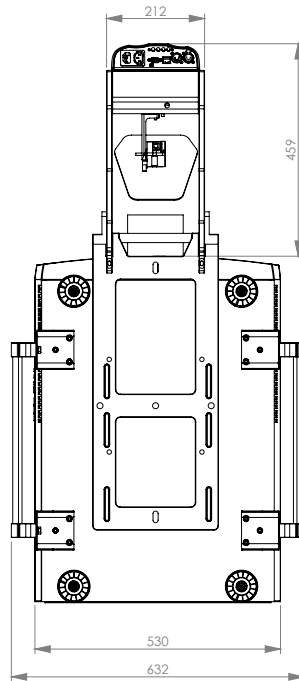
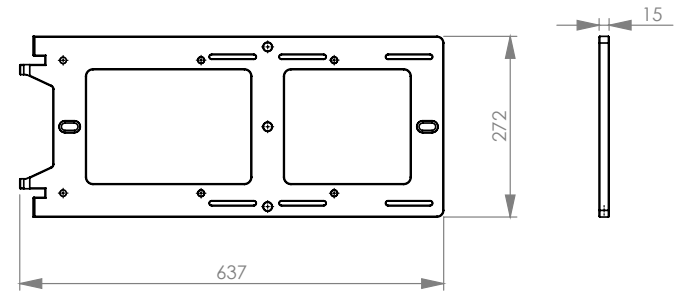
office@dynamicprojection.com - www.dynamicprojection.com

Mirror Head / MH27

MH27

2021-08-03

Mirror Head: MH27
Projector:
Fixture total: 44.5 kg



DYNAMIC PROJECTION
 INSTITUTE

office@dynamicprojection.com - www.dynamicprojection.com

Mirror Head / MH27

MH27

2021-08-03