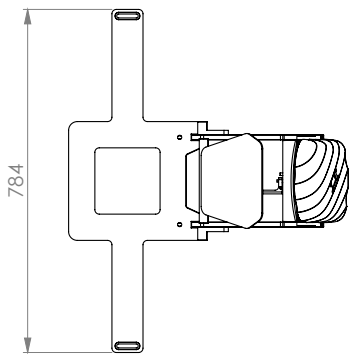
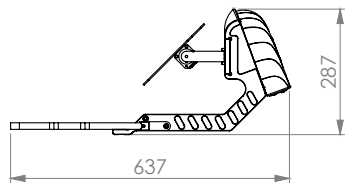
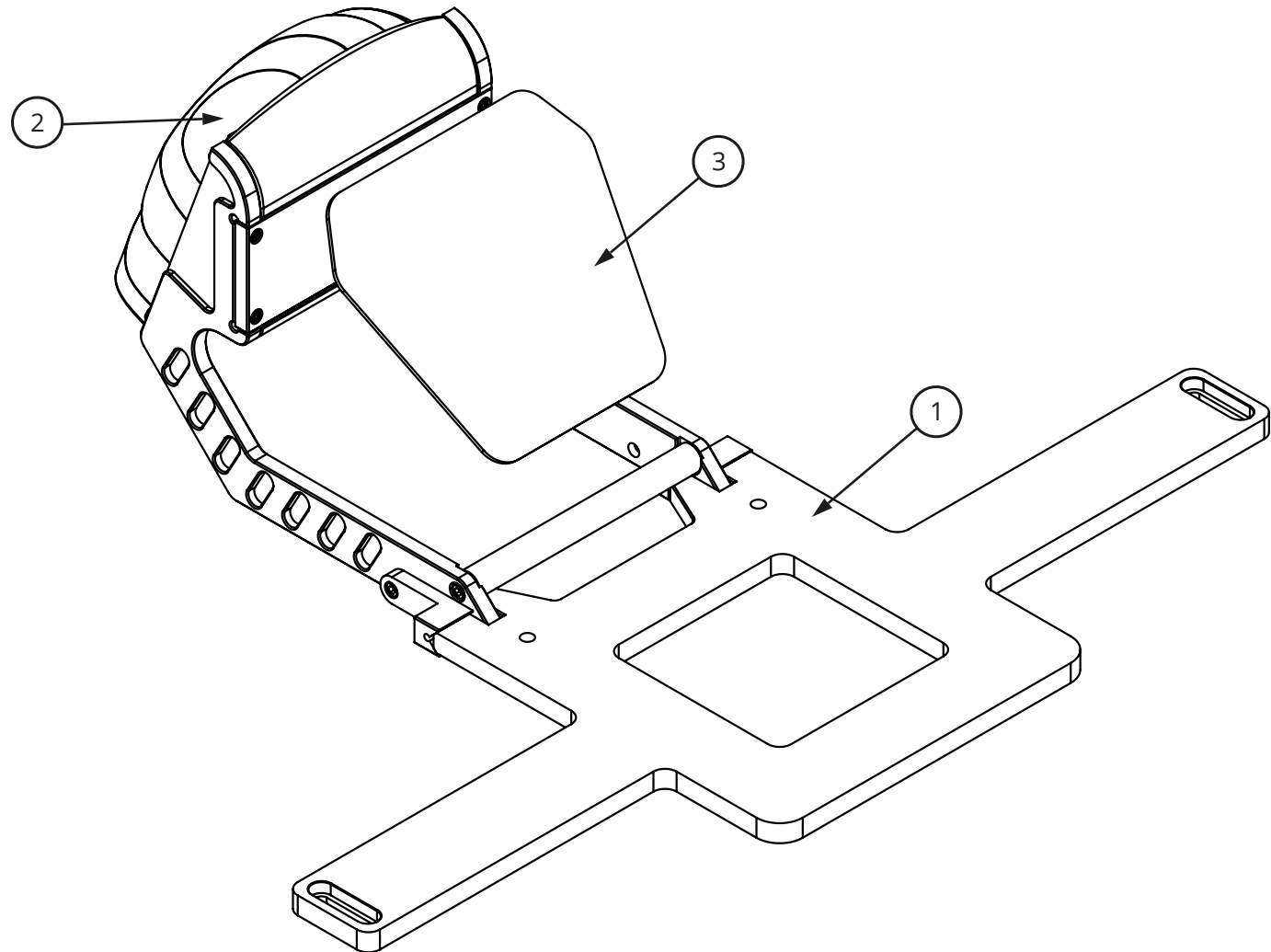


Components:

- (1) 1pcs. Module support with base plate
- (2) 1pcs. Control unit with connection ports and control buttons
- (3) 1pcs. Mechanical mirror drive (PAN / TILT)



Dimensions: 637 x 784 x 287 mm
Weight: 7.5 kg

The illustrations may differ in some details from the original.
Subject to change without prior notice.



DYNAMIC PROJECTION
INSTITUTE

office@dynamicprojection.com - www.dynamicprojection.com

Mirror Head / MH28

MH28

2019-07-02

Mirror Head: MH28
Frame: Carry Handle / Lang Frame
Projector: EPSON EB-L25000U
Fixture total: 93 kg (with Carry Handle)
Fixture total: 100 kg (with Lang Frame)

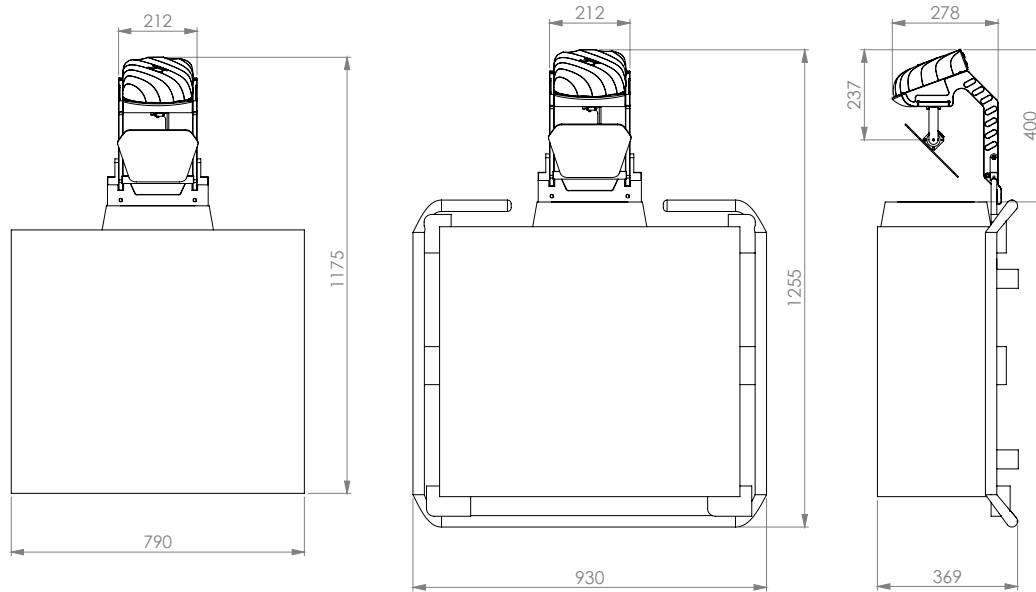
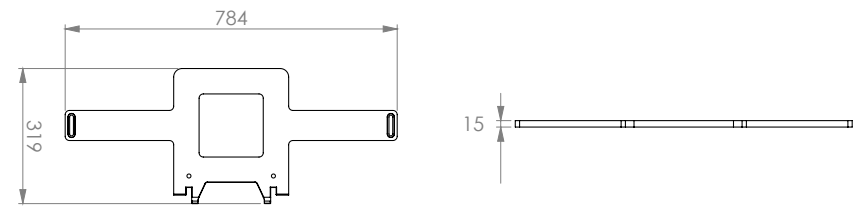


Figure with Carry Handle

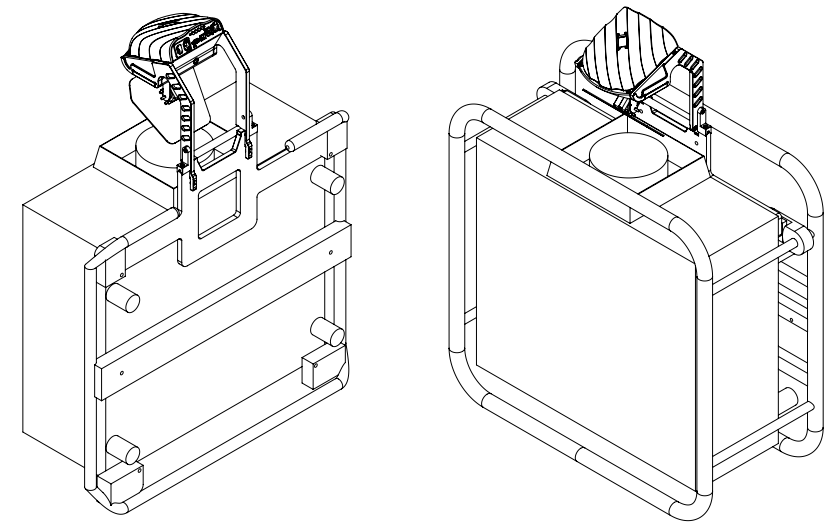



Figure with Lang Frame

 DYNAMIC PROJECTION INSTITUTE <small>office@dynamicprojection.com - www.dynamicprojection.com</small>	Mirror Head / MH28	
	MH28	2019-07-02