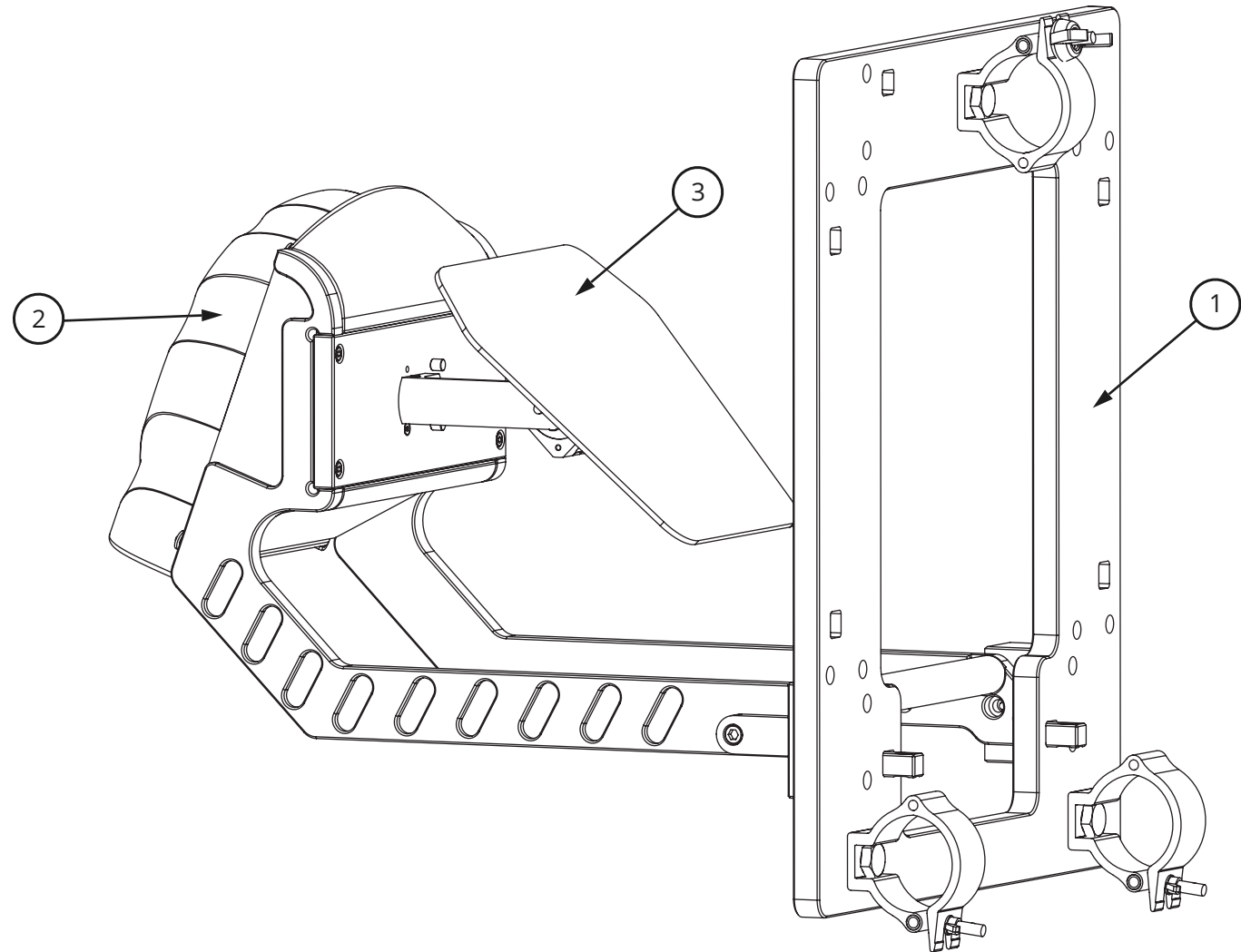
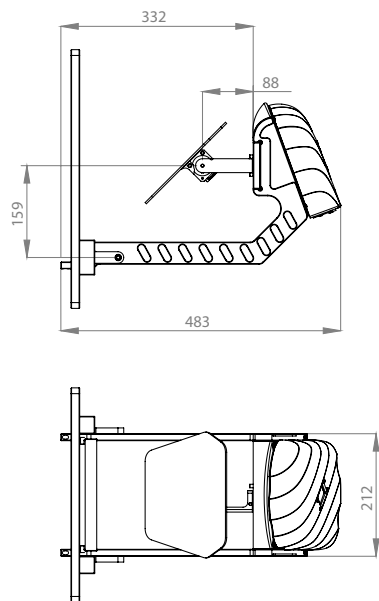


Components:

- (1) 1pcs. Module support with base plate
- (2) 1pcs. Control unit with connection ports and control buttons
- (3) 1pcs. Mechanical mirror drive (PAN / TILT)



Dimensions: 483 x 212 x 447 mm
Weight: 9 kg

The illustrations may differ in some details from the original.
Subject to change without prior notice.



DYNAMIC PROJECTION
INSTITUTE

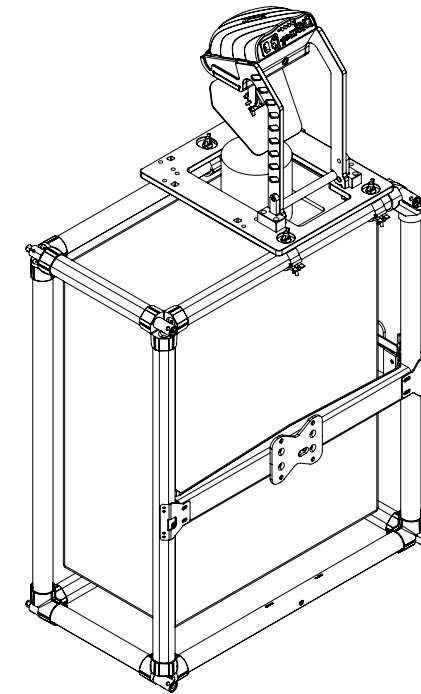
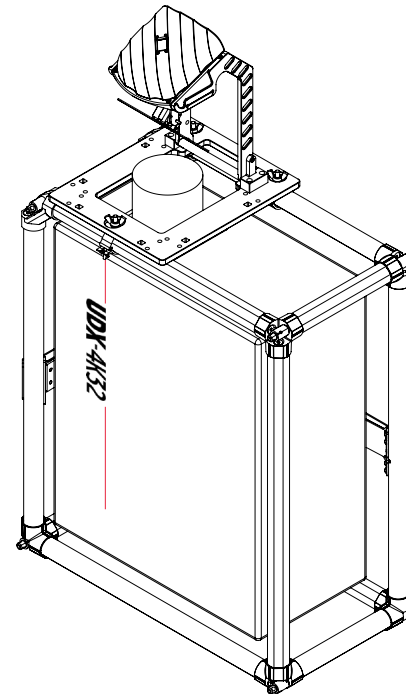
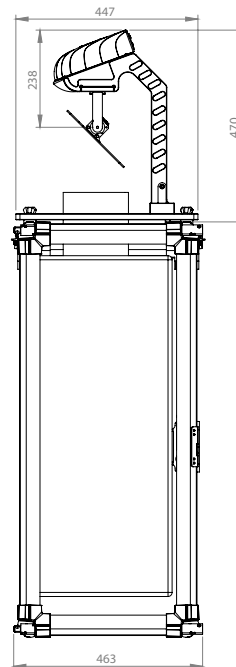
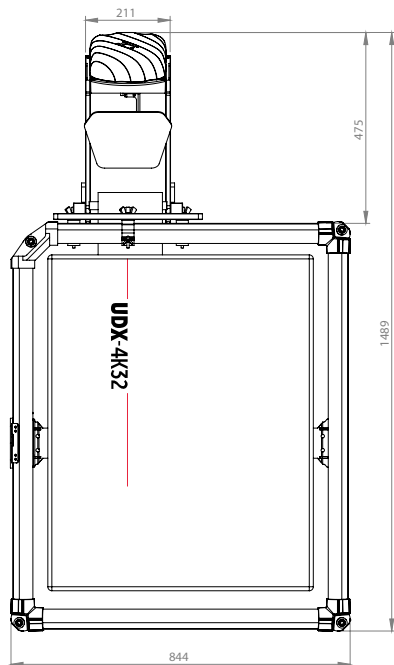
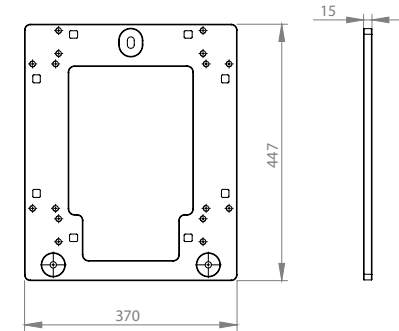
office@dynamicprojection.com - www.dynamicprojection.com

Mirror Head / MH29

MH29

2019-07-02

Mirror Head: MH29
Frame: UDX Frame R9801194
Projector: BARCO UDX-4K32
Fixture total: 130 kg



DYNAMIC PROJECTION
 INSTITUTE

office@dynamicprojection.com - www.dynamicprojection.com

Mirror Head / MH29

MH29

2019-07-02