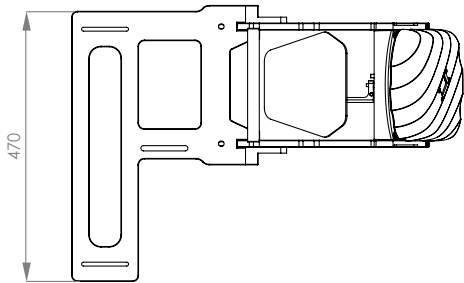
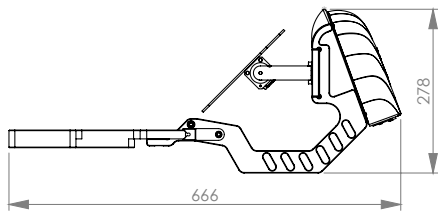
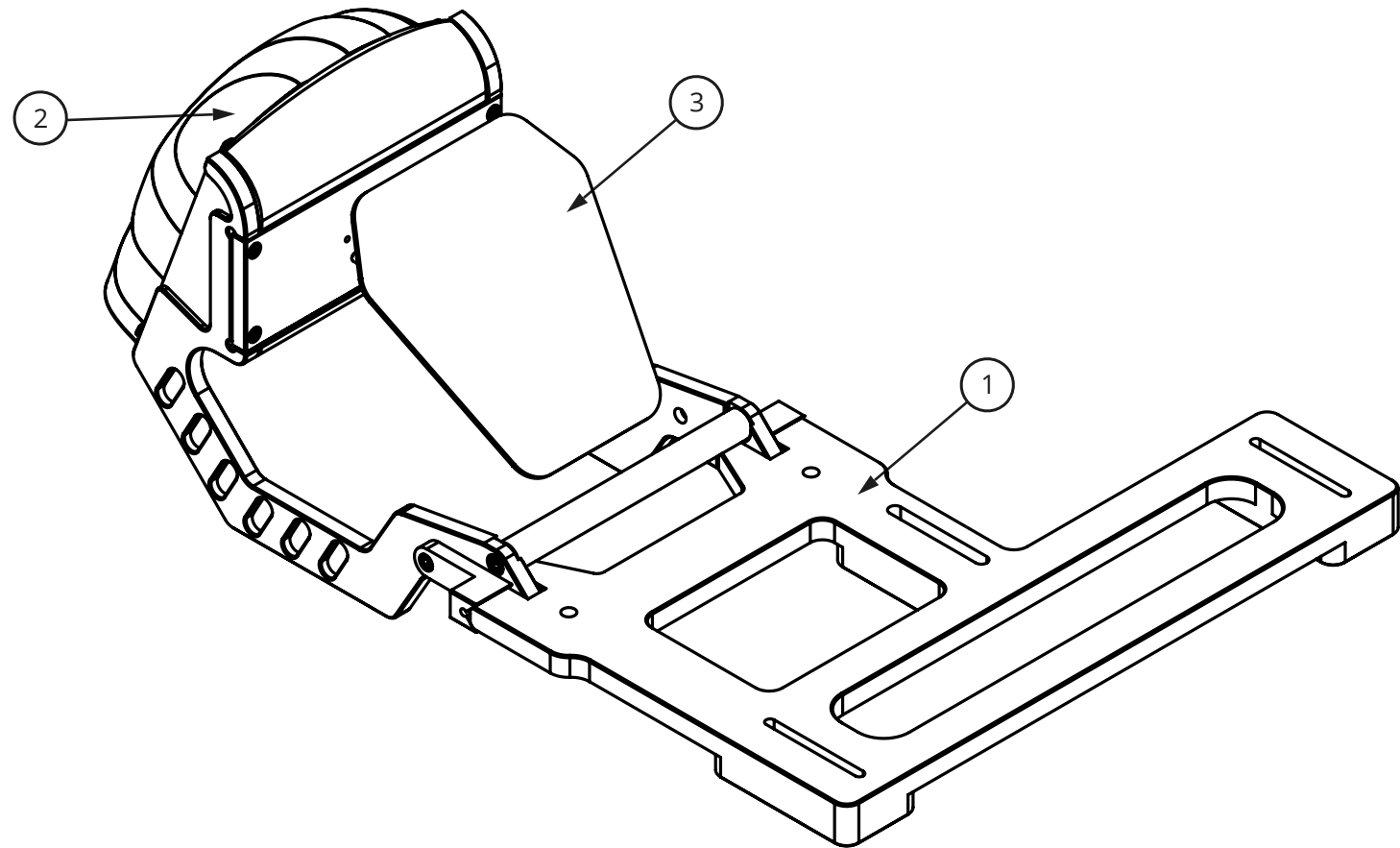


Components:

- (1) 1pcs. Module support with base plate
- (2) 1pcs. Control unit with connection ports and control buttons
- (3) 1pcs. Mechanical mirror drive (PAN / TILT)



Dimensions: 666 x 470 x 278 mm
Weight: 8 kg

The illustrations may differ in some details from the original.
Subject to change without prior notice.



DYNAMIC PROJECTION
INSTITUTE

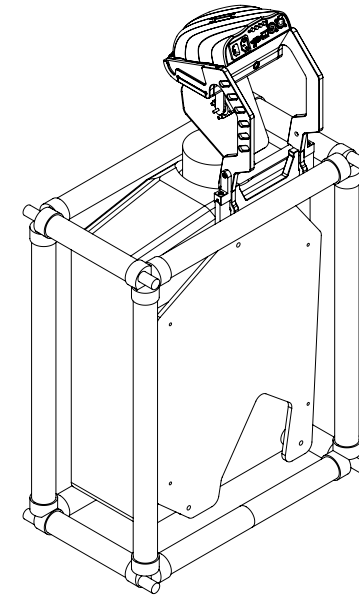
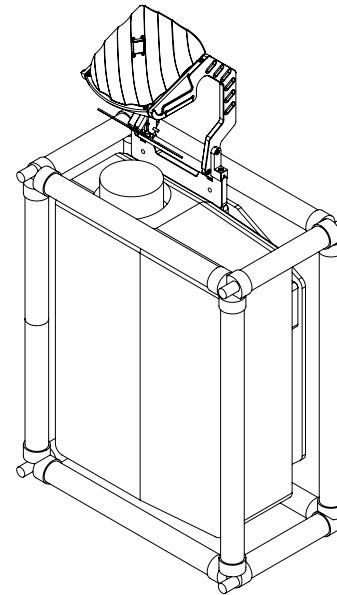
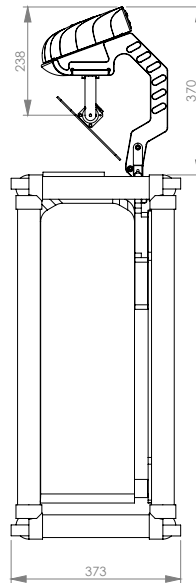
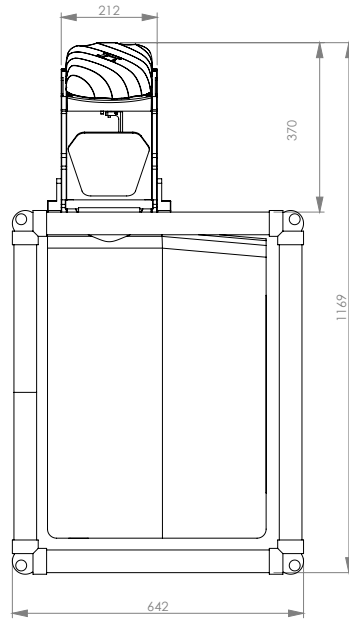
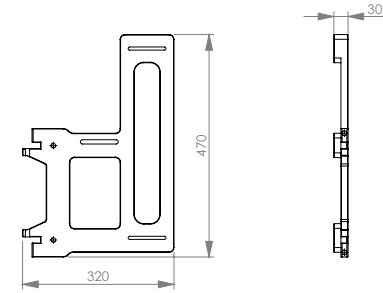
office@dynamicprojection.com - www.dynamicprojection.com

Mirror Head / MH30

MH30

2019-10-25

Mirror Head: MH30
Frame: Frame R9802230
Projector: BARCO F80
Fixture total: 37 kg



DYNAMIC PROJECTION
 INSTITUTE

office@dynamicprojection.com - www.dynamicprojection.com

Mirror Head / MH30

MH30

2019-10-25