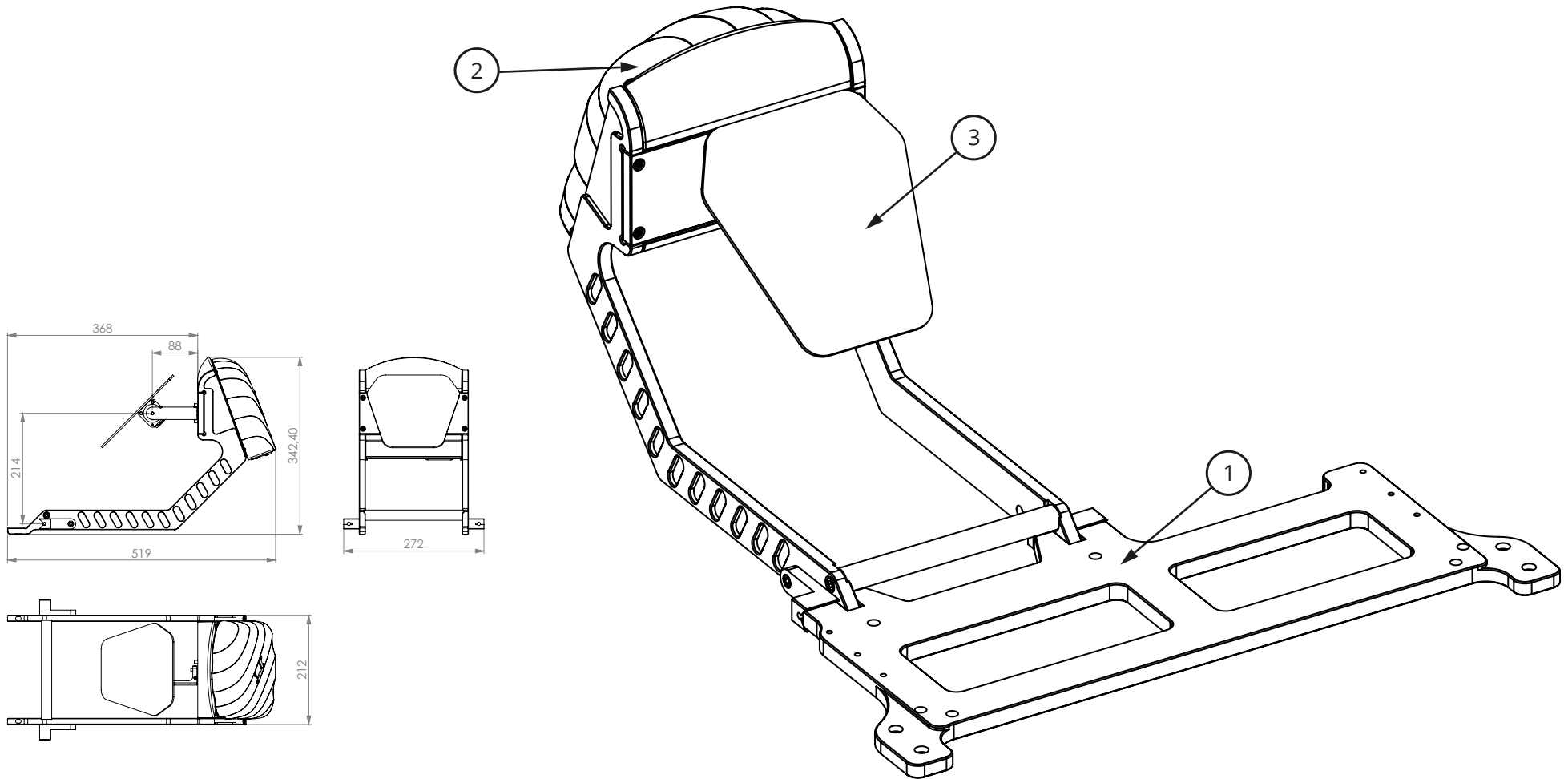


Components:

- (1) 1pcs. Module support with base plate
- (2) 1pcs. Control unit with connection ports and control buttons
- (3) 1pcs. Mechanical mirror drive (PAN / TILT)



Dimensions: 342 x 212 x 519 mm

Weight: 9 kg

The illustrations may differ in some details from the original.
Subject to change without prior notice.



DYNAMIC PROJECTION
INSTITUTE

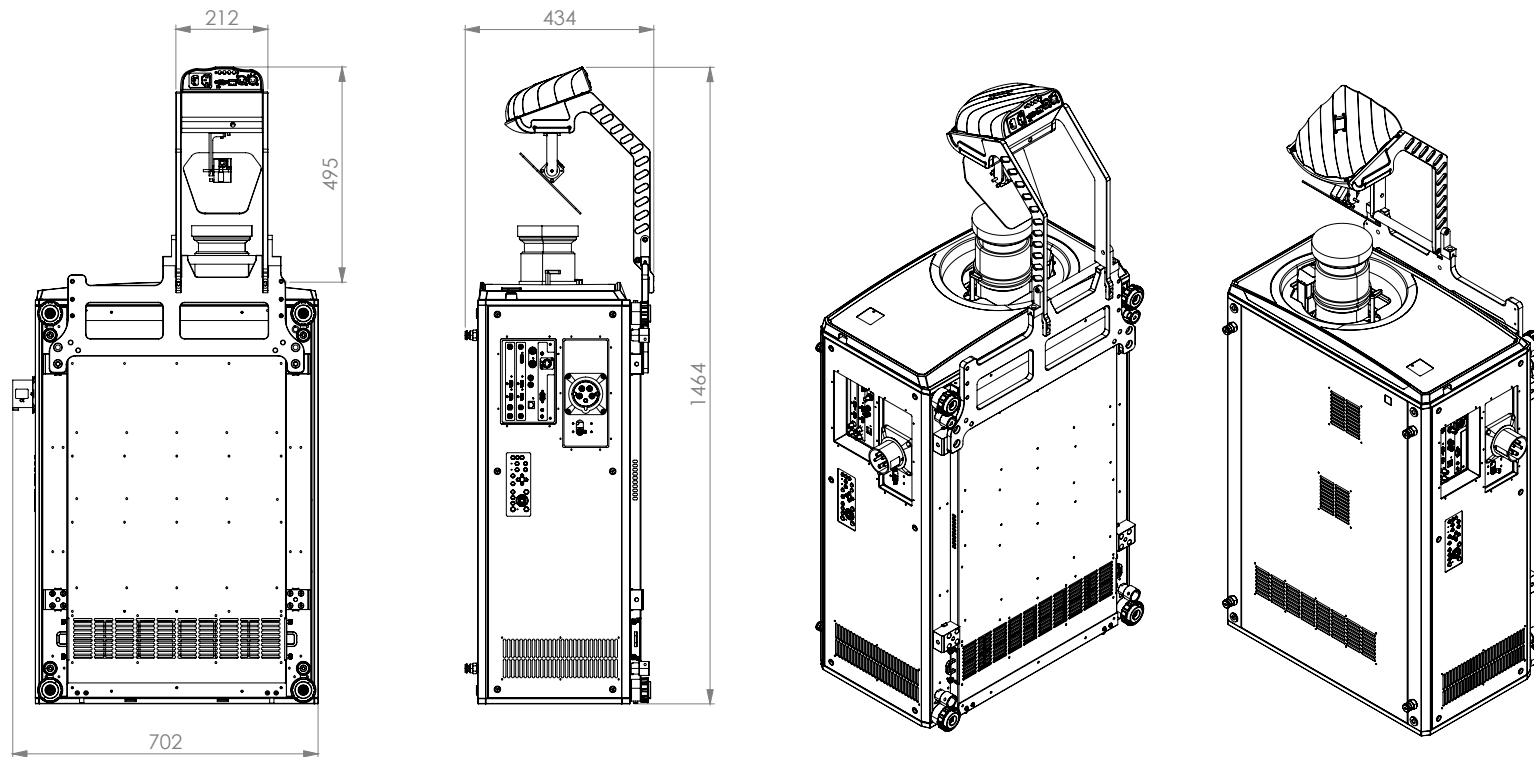
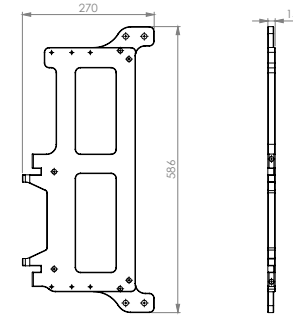
office@dynamicprojection.com - www.dynamicprojection.com

Mirror Head / MH33

MH33

2022-10-12

Mirror Head: MH33
Projector: Digital Projection Titan Laser 37000 WU
Fixture total: 108 kg



DYNAMIC PROJECTION
 INSTITUTE

office@dynamicprojection.com - www.dynamicprojection.com

Mirror Head / MH33

MH33

2022-10-12