

Promote
yourself.



DYNAMIC PROJECTION
INSTITUTE



Mirror Head 08 Vivitek D800 Series

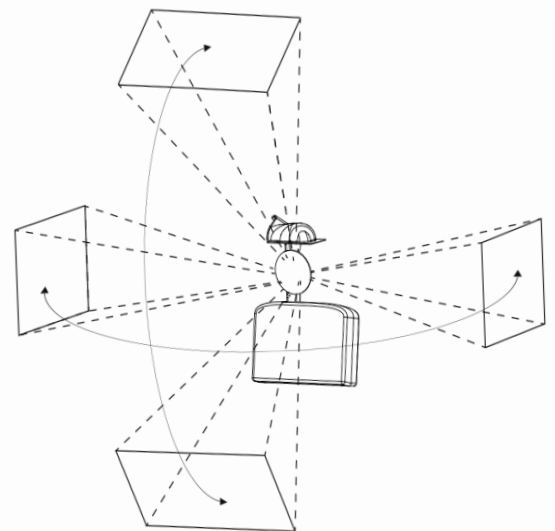
Item Number : MH08-VI08L

The Mirror Head is a modern high-tech mirror that is digitally operated and is used as an add-on for projectors. You can use the Mirror Head for a main screen position and in between moments, move the projections around or use other positions.

Through its high level of performance, the entire system guarantees highly accurate projection positioning. The Mirror Head is also extendable to almost every projector and is a quality product "Made in Austria".

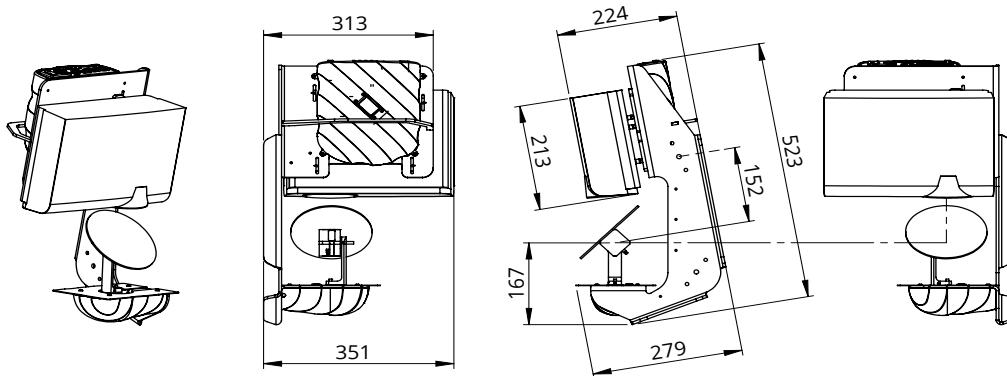
The Dynamic Projection Control Center - DPCC is pre-installed and delivered with each Mirror Head to offer a complete plug-n-play solution to easily start creating dynamic projection shows directly from a web browser and any operating system.

Static projection belongs to the past. The journey into a new visual experience begins here. Our technology paves the way to unprecedented possibilities in lighting and projection design.





Specifications Mirror Head MH08 Vivitek D800 Series



MECHANICAL SPECIFICATIONS

Fixture dimensions (W/D/H):	351 x 224 x 523 mm
Fixture total weight:	11,6 kg
Projector weight:	3,2 kg
Mirror Head unit only:	8,4 kg
Truss bracket - MHZ-TK:	2,8 kg
Wall bracket - MHZ-WK:	2,1 kg
Floor- / Presentation Stand - MHZ-BS:	3,5 kg

ELECTRICAL SPECIFICATIONS

Input Power:	100-240V / 2-1A / 50-60Hz, Max. 10A (3-prong C14 male socket)
Output Power:	AC loop trough for projector (3-prong C13 female socket) Max. 8A - cable included



Caution! There are no user serviceable parts (fuse) inside this unit.

PROJECTOR COMPATIBILITY

DU857	DH856 / DH858N
WUXGA (1920x1200)	1080p (1920 x 1080)
5000 ANSI Lumens	4800 ANSI Lumens
C.R.: 15,000:1	C.R.: 15,000:1
T.R.: 1.39 - 2.09:1	T.R.: 1.39 - 2.09:1

DW855
WXGA (1280 x 800)
5500 ANSI Lumens
C.R.: 15,000:1
T.R.: 1.6- 1.92:1

Discontinued models:
DX813 / DX831 / DW814 / DW832 / DH833

OPERATION SPECIFICATIONS / FEATURES

- High resolution 16bit Pan / Tilt mirror movement
- DMX-512 control over 14 DMX channels
- DMX-IN and DMX-OUT / Through port (5-pin male and female XLR connectors)
- At least 5 channels are required to control the unit
- Art-Net™ connection (RJ45) (Art-Net™ designed by and Copyright Artistic License Holdings Ltd.)
- HTTP Control protocol
- High resolution micro step motors with maintenance free direct drive
- Self calibrating mirror position for high accuracy
- Absolute reposition accuracy smaller than 0.03°
- Movement accuracy: Pan and Tilt from the same direction to the programmed point within approximately 0.01°
- RS232 remote control connection for projector (D-sub 9 male) - cable included
- Flash-able firmware (Mini USB OTG)
- Ambient Light LED with high power 3 Colour LEDs (18Watt total).
- LED-Display for easy configuration
- Coated mirror for optimum reflection ~98% refraction factor
- Optimized mirror optics for the specific projector
- Passive cooled system, fanless (excluding projector)
- Environmental tolerances: Ambient operating temperature range: 5° -35°C, Humidity: 20%-80% (non-condensing)
- Mounting plate optimized for specific projector mounting.
- High durability black powder-coating surface finishing.
- DPCC web interface for easy show creation
- Package includes: RS232 cable, AC-loop through cable, Quick installation guide



To protect the environment,
please try to recycle the packing
material as much as possible.



IMPORTANT NOTE: For information about the specifications, operations and use of the projector please read the instruction manual of the projector. <https://www.vivitek.eu/Category/Multimedia-Projectors/1226/DU857>