

Promote  
yourself.



DYNAMIC PROJECTION  
INSTITUTE



# Mirror Head MH11 Vivitek DU7098Z / DU7295Z

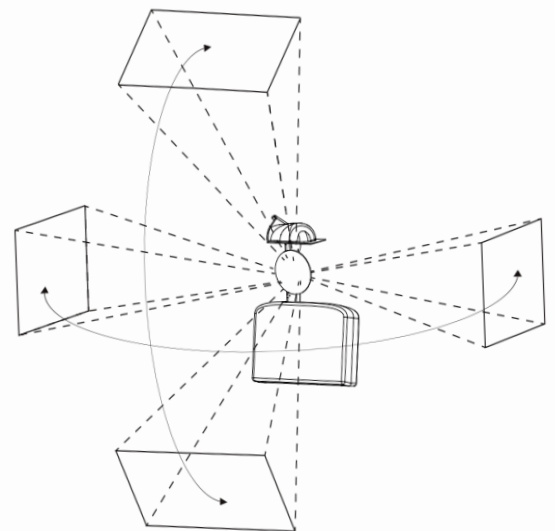
Item Number: MH11- DEL1L

The Mirror Head is a modern high-tech mirror that is digitally operated and is used as an add-on for projectors. You can use the Mirror Head for a main screen position and in between moments, move the projections around or use other positions.

Through its high level of performance, the entire system guarantees highly accurate projection positioning. The Mirror Head is also extendable to almost every projector and is a quality product "Made in Austria".

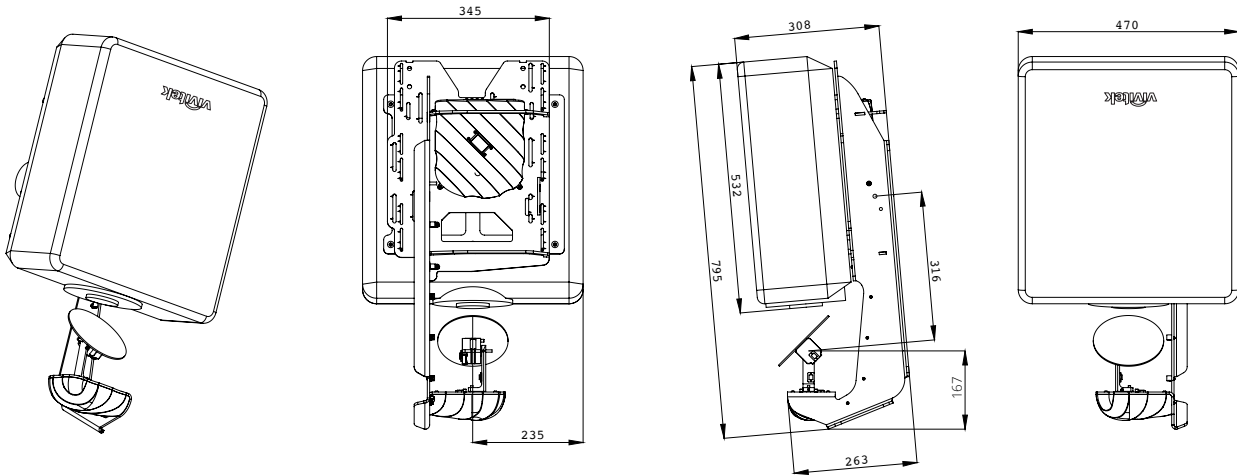
The Dynamic Projection Control Center - DPCC is pre-installed and delivered with each Mirror Head to offer a complete plug-n-play solution to easily start creating dynamic projection shows directly from a web browser and any operating system.

Static projection belongs to the past. The journey into a new visual experience begins here. Our technology paves the way to unprecedented possibilities in lighting and projection design.





## Technical Specifications Mirror Head MH11 with Vivitek DU7295Z



### MECHANICAL SPECIFICATIONS

Fixture dimensions (W/D/H):	470 x 308 x 795 mm
Projector + Lens:	25 kg
Mirror Head MH11-DEL1L:	13 kg
Fixture total:	38 kg

### ELECTRICAL SPECIFICATIONS

Input Power:	100-240V / 2-1A / 50-60Hz, Max. 10A (3-pol C14 male socket)
Output Power:	AC loop trough for projector (3-pol C13 female socket) Max. 8A - cable included



Caution! There are no user serviceable parts (fuse) inside this unit.

### PROJECTOR COMPATIBILITY

Vivitek DU7295Z	WUXGA (1920 x 1200)	9000 ANSI Lumens
Vivitek DU7098Z	WUXGA (1920 x 1200)	7000 ANSI Lumens

Discontinued models:  
Vivitek DU7090Z / DU7095Z

Due to optical reasons we do not recommend the use of a throw ratio below 1.5:1.

IMPORTANT NOTE: For information about the specifications, operations and use of the projector please read the instruction manual of the projector.  
<https://www.vivitek.eu/Category/Large-Venue-Projectors/1216/DU7295Z>

### OPERATION SPECIFICATIONS / FEATURES

- High resolution 16bit Pan / Tilt mirror movement
- DMX-512 control over 14 DMX channels
- DMX-IN and DMX-OUT / Through port (5-pin male and female XLR connectors)
- At least 5 channels are required to control the unit
- Art-Net™ connection (RJ45) (Art-Net™ designed by and Copyright Artistic License Holdings Ltd.)
- HTTP Control protocol
- High resolution micro step motors with maintenance free direct drive
- Self calibrating mirror position for high accuracy
- Absolute reposition accuracy smaller than 0.03°
- Movement accuracy: Pan and Tilt from the same direction to the programmed point within approximately 0.01°
- RS232 remote control connection for projector (D-sub 9 male) - cable included
- Flash-able firmware (Mini USB OTG)
- Ambient Light LED with high power 3 Colour LEDs (18Watt total).
- LED-Display for easy configuration
- Coated mirror for optimum reflection ~98% refraction factor
- Optimized mirror optics for the specific projector
- Passive cooled system, fanless (excluding projector)
- Environmental tolerances: Ambient operating temperature range: 5° –35°C, Humidity: 20%–80% (non-condensing)
- Mounting plate optimized for specific projector mounting.
- High durability black powder-coating surface finishing.
- DPCC web interface for easy show creation
- Package includes: RS232 cable, AC-loop through cable, Quick installation guide



To protect the environment,  
please try to recycle the packing  
material as much as possible.

